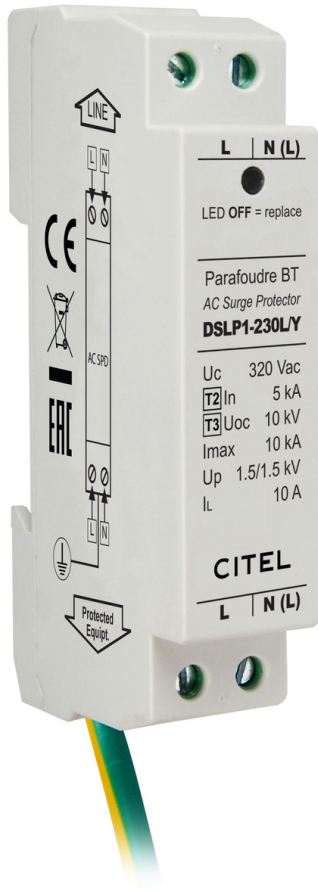




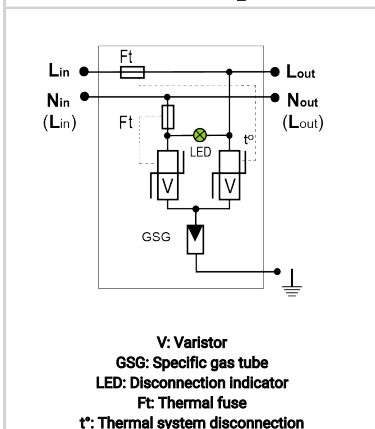
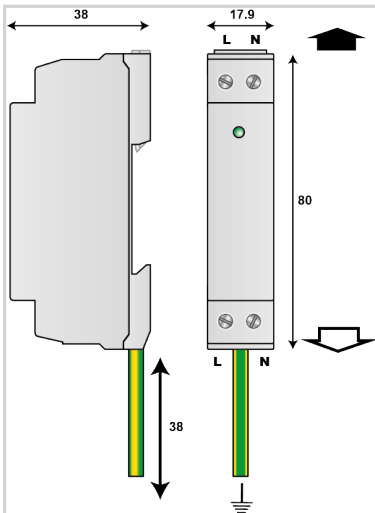
# CITEL

## Surge protector for LED lighting system Class 1

### DSLSP1-230L/Y



- Type 2 (or 3) surge protectors for LED
- Very compact (low profile)
- DIN rail mounting
- Screw terminal connection
- Status indicator
- Disconnection AC end of life
- EN 61643-11, IEC 61643-11 compliance



#### Electrical Characteristics

SPD type	IEC	2+3
Network		230-277 Vac Single-phase or 2-phase
AC system		TN
Nominal line voltage	Un	230-277 Vac
Max. AC operating voltage	Uc	320 Vac
Max. load current @25°C	IL	10 A
Temporary Over Voltage (TOV) Characteristics - 5 sec. Without disconnection	UT	335 Vac withstand
Temporary Over Voltage (TOV) Characteristics - 120 mn Without disconnection or with safety disconnection	UT	440 Vac disconnection
Residual Current Leakage current to Ground	Ipe	None
Nominal discharge current 15 x 8/20 μs impulses	In	5 kA
Max. discharge current max. withstand @ 8/20 μs by pole	I <sub>max</sub>	10 kA
Withstand on Combination waveform IEC 61643-11 Class III test: 1.2/50μs - 8/20μs	Uoc	10 kV / 5 kA
Withstand on overvoltages IEEE C62.41.1		10 kV / 10 kA
Protection mode(s)		Common/Differential mode
Protection level L/N @ In (8/20μs)	Up L/N	1.5 kV
Protection level L/PE @ In (8/20μs)	Up L/PE	1.5 kV
Admissible short-circuit current	I <sub>sc</sub>	10 000 A

#### Mechanical Characteristics

Technology		MOV+GDT
Connection to Network		Screw terminal 2.5 mm <sup>2</sup> max. Earthing conductor 2 mm <sup>2</sup> - length 60 cm
Mounting		Symmetrical rail 35 mm (EN 60715)
Housing material		Thermoplastic UL94 V-0
Operating temperature	Tu	-40/+85°C
Protection rating		IP20
Failsafe mode		Disconnection from AC network
Disconnection indicator		LED green OFF and AC network cut-off
Operating indicator		Green Led ON
Dimensions		See diagram

#### Disconnectors

Thermal disconnector		Internal
----------------------	--	----------



CITEL

**Surge protector for LED lighting system Class 1**

---

**DSLPL1-230L/Y**

Installation ground fault breaker	Type 'S' or delayed
<b>Standards</b>	
Standards compliance	EN 61643-11 / IEC 61643-11
<b>Part number</b>	
<b>352923</b>	

