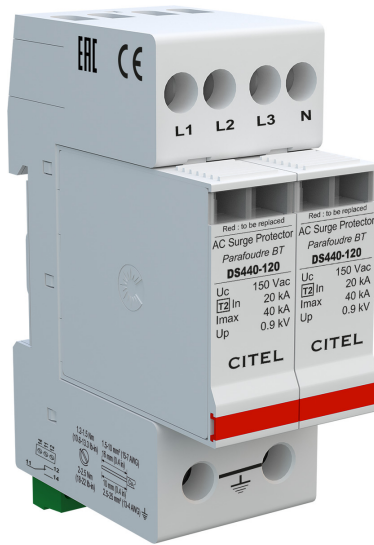




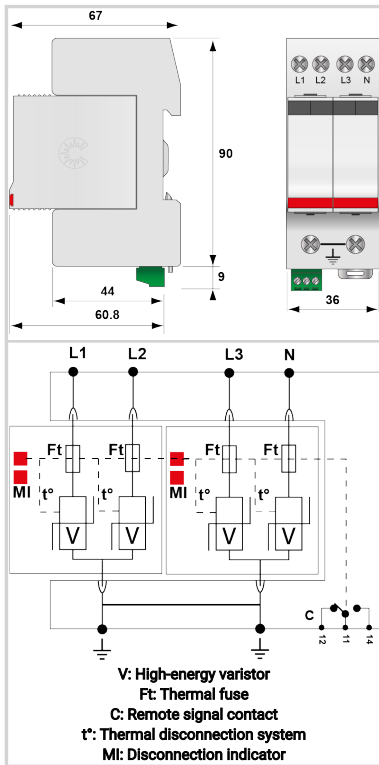
# CITEL

## Compact 3-phase+N Type 2 surge protector - 120 V - Pluggable

### DS440S-120



- › Discover our latest innovation : the [DAC40CS-40-150](#)
- › Compact 3-Phase Type 2 surge protector
- › In : 20 kA
- › Imax : 40 kA
- › Common mode
- › Pluggable module
- › Remote Signaling contact
- › EN 61643-11, IEC 61643-11, UL1449 ed.5 compliance



Electrical Characteristics		
SPD type	IEC	2
Network		120/208 V 3-phase
AC system		TN
Nominal line voltage	Un	120 Vac
Max. AC operating voltage	Uc	150 Vac
Temporary Over Voltage (TOV) Characteristics - 5 sec. Without disconnection	UT	180 Vac withstand
Temporary Over Voltage (TOV) Characteristics - 120 mn Without disconnection or with safety disconnection	UT	230 Vac disconnection
Residual Current Leakage current to Ground	Ipe	< 0.5 mA
Follow current	If	None
Nominal discharge current 15 x 8/20 μs impulses	In	20 kA
Max. discharge current max. withstand @ 8/20 μs by pole	Imax	40 kA
Connection mode(s)		L/PE and N/PE
Protection mode(s)		Common mode
Residual voltage at 5 kA @ 5 kA (8/20μs)	Up-5kA	0.6 kV
Protection level CM/DM @ In (8/20μs)	Up mc /md	0.9 kV
Admissible short-circuit current	Iscsr	10 000 A
Mechanical Characteristics		
Technology		MOV
SPD configuration		3-phase+Neutral
Connection to Network		By screw terminals: 1.5-10mm <sup>2</sup> (L/N) or 2.5-25mm <sup>2</sup> (PE)
Format		Plug-in modular box
Mounting		Symmetrical rail 35 mm (EN 60715)
Housing material		Thermoplastic UL94 V-0
Operating temperature	Tu	-40/+85°C
Protection rating		IP20
Failsafe mode		Disconnection from AC network
Disconnection indicator		4 mechanical indicators
Spare module(s)		DSM440-120
Remote signaling of disconnection		Output on changeover contact
Dimensions		See diagram
Disconnectors		
Thermal disconnector		Internal
Installation ground fault breaker		Type 'S' or delayed
Back-up protection device		50 A min. - 125 A max. - Fuses Type gG
Standards		
Standards compliance		IEC 61643-11 / EN 61643-11 / UL1449 ed.5
Certification		
Part number		
<b>311612</b>		

