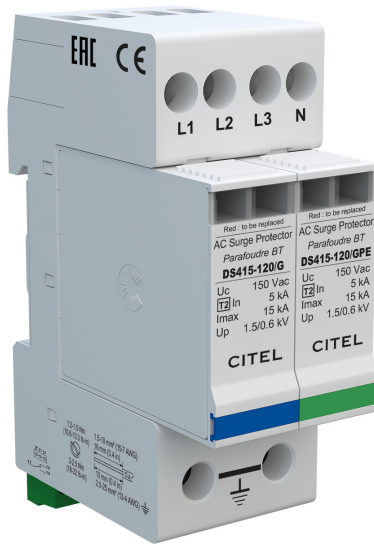




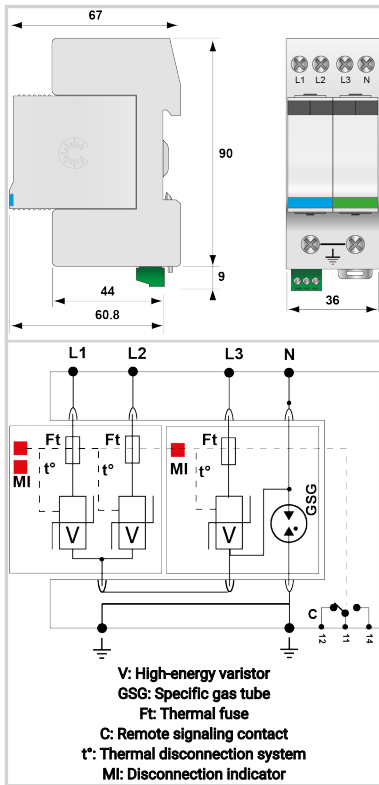
CITEL

Compact 3-phase+N Type 2 surge protector - 120 V - Pluggable

DS415S-120/G



- › Discover our latest innovation : the [DAC15CS-31-150](#)
- › Compact 3-phase+N type 2 (or 3) surge protector
- › In : 5 kA
- › Imax : 15 kA
- › Common/Differential mode
- › Pluggable module
- › Remote signaling
- › EN 61643-11, CEI 61643-11, UL1449 ed.3 compliance



Electrical Characteristics		
SPD type	IEC	2+3
Network		120/208 V
AC system		TT-TN
Nominal line voltage	Un	120 Vac
Max. AC operating voltage	Uc	150 Vac
Temporary Over Voltage (TOV) Characteristics - 5 sec. <i>Without disconnection</i>	UT	180 Vac withstand
Temporary Over Voltage (TOV) Characteristics - 120 mn <i>Without disconnection or with safety disconnection</i>	UT	230 Vac disconnection
Temporary Over Voltage N/PE (TOV HT) <i>Without disconnection or with safety disconnection</i>	UT	1200 V/300A/200 ms withstand
Residual Current <i>Leakage current to Ground</i>	Ipe	None
Follow current	If	None
Nominal discharge current <i>15 x 8/20 μs impulses</i>	In	5 kA
Max. discharge current <i>max. withstand @ 8/20 μs by pole</i>	Imax	15 kA
Withstand on Combination waveform IEC 61643-11 <i>Class III test: 1.2/50μs - 8/20μs</i>	Uoc	10 kV
Withstand on overvoltages IEEE C62.41.1		10 kV
Protection mode(s)		Common/Differential mode
Protection level CM/DM <i>@ In (8/20μs)</i>	Up mc /md	1.5/0.6 kV
Admissible short-circuit current	Iscsr	10 000 A
Mechanical Characteristics		
Technology		MOV
SPD configuration		3-phase+Neutral
Connection to Network		By screw terminals: 1.5-10mm ² (L/N) or 2.5-25mm ² (PE)
Format		Plug-in modular box
Mounting		Symmetrical rail 35 mm (EN 60715)
Housing material		Thermoplastic UL94 V-0
Operating temperature	Tu	-40/+85°C
Protection rating		IP20
Failsafe mode		Disconnection from AC network
Disconnection indicator		3 mechanical indicators
Spare module(s)		DSM415-120/G + DSM415-120/GPE
Remote signaling of disconnection		Output on changeover contact
Dimensions		See diagram
Disconnectors		
Thermal disconnector		Internal
Installation ground fault breaker		Type 'S' or delayed
Back-up protection device		20 A / 40 A (gL/gG)
Standards		
Standards compliance		IEC 61643-11 / EN 61643-11 / UL1449 ed.5
Certification		
Part number		
451632		

