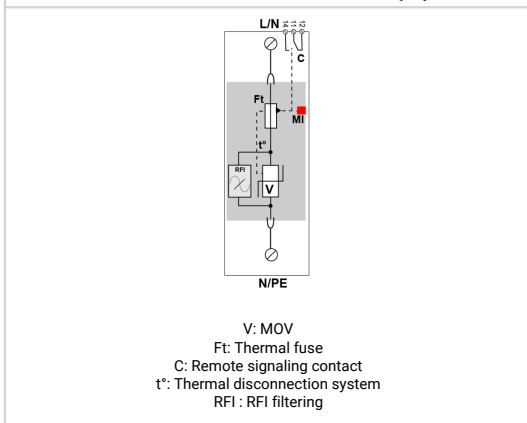
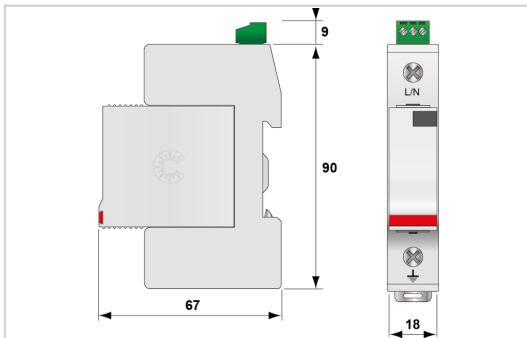


DS41HFS-230



- ✦ Type 2 AC surge protector
- ✦ RFI filtering integrated
- ✦ In : 20 kA
- ✦ Imax : 40 kA
- ✦ Pluggable module
- ✦ Remote signaling option
- ✦ EN 61643-11, IEC 61643-11, UL1449 ed.5 compliance



Electrical Characteristics			
SPD type	IEC	2	
Network		230/400 V	
Nominal line voltage	Un	230 Vac	
Max. AC operating voltage	Uc	255 Vac	
Temporary Over Voltage (TOV) Characteristics - 5 sec. Without disconnection	UT	335 Vac withstand	
Temporary Over Voltage (TOV) Characteristics - 120 mn Without disconnection or with safety disconnection	UT	440 Vac disconnection	
Follow current	If	None	
Nominal discharge current 15 x 8/20 μs impulses	In	20 kA	
Max. discharge current max. withstand @ 8/20 μs by pole	Imax	40 kA	
RFI Filtering		0.1 - 30 MHz	
Connection mode(s)		L/N or N/PE	
Protection mode(s)		Common Mode or Differential Mode	
Protection level @ In (8/20μs)	Up	1.25 kV	
Residual voltage at 5 kA @ 5 kA (8/20μs)	Up-5kA	1 kV	
Max. capacitance	C	0,22 μF	
Admissible short-circuit current	Iscsr	25 000 A	
Mechanical Characteristics			
Technology		MOV+Filter	
SPD configuration		Single phase	
Connection to Network		By screw terminals: 2.5-25mm ²	
Format		Plug-in modular box	
Mounting		Symmetrical rail 35 mm (EN 60715)	
Housing material		Thermoplastic UL94 V-0	
Operating temperature	Tu	-40/+85°C	
Protection rating		IP20	
Failsafe mode		Disconnection from AC network	
Disconnection indicator		1 mechanical indicator	
Spare module(s)		DSM40HF-230	
Remote signaling of disconnection		Output on changeover contact	
Dimensions		See diagram	
Weight		0.103 kg	
Disconnectors			
Thermal disconnector		Internal	
Installation ground fault breaker		Type 'S' or delayed	
Back-up protection device		Fuses type gG - 50 A	
Standards			
Standards compliance		IEC 61643-11 / EN 61643-11 / UL1449 ed.5	
Certification		CSA	
Part number			
461590			