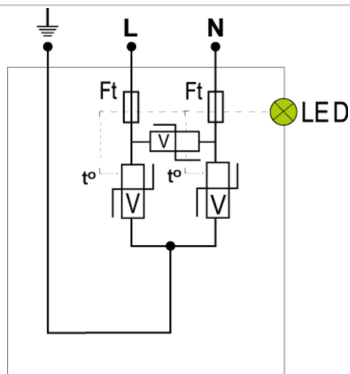
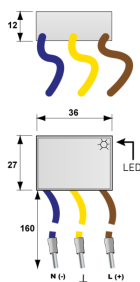


MSB6-24/LD



- ✦ Ultra compact type 3 surge protector
- ✦ 24 Vac or 24 Vdc version available
- ✦ LED indicator
- ✦ IP20
- ✦ EN 61643-11, IEC 61643-11, UL1449 ed.5 compliance



V: Varistor
 Ft: Thermal fuse
 t*: Thermal disconnection system
 LED: Disconnection indicator

Electrical Characteristics

SPD type	IEC	3
Network		24V supply
Nominal line voltage	Un	24 V
Max. AC operating voltage	Uc	30 Vac
Max. DC operating voltage	Uc	38 Vdc
Follow current	if	None
Nominal discharge current 15 x 8/20 μ s impulses	In	0.5 kA
Max. discharge current max. withstand @ 8/20 μ s by pole	Imax	2 kA
Withstand on Combination waveform IEC 61643-11 Class III test: 1.2/50 μ s - 8/20 μ s	Uoc	1 kV
Protection mode(s)		Common/Differential mode
Protection level @ In (8/20 μ s) and (1,2/50 μ s)	UP L/N	0,18 kV
Protection level @ In (8/20 μ s) and (1,2/50 μ s)	UP L/PE	0,18 kV

Mechanical Characteristics

Technology		MOV
Connection to Network		Wires
Mounting		AC outlet or screw terminal
Housing material		Thermoplastic UL94 V-0
Operating temperature	Tu	-40/+85°C
Protection rating		IP20
Failsafe mode		Disconnection from AC network
Disconnection indicator		Green LED OFF
Operating indicator		Green Led ON
Dimensions		See diagram

Disconnectors

Thermal disconnector		Internal
----------------------	--	----------

Standards

Standards compliance		IEC 61643-11 / EN 61643-11 / UL1449 ed.5
Certification		

Part number

561313