



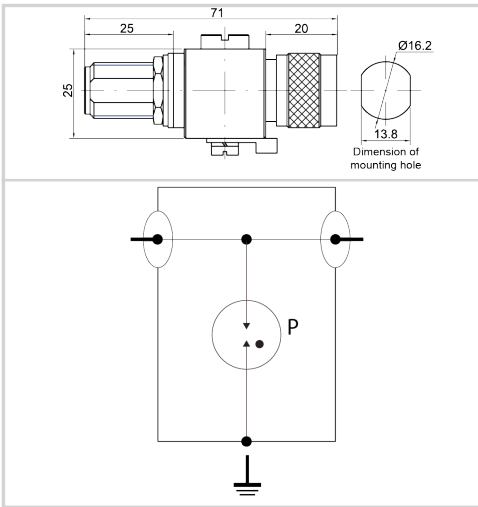
CITEL

Coaxial surge protector DC-7 GHz

P8AX25-6G-N/MF



- RF coaxial surge protector
- DC-7 GHz
- 190 W
- Connectors : N
- Low insertion loss
- Removable GDT
- DC-pass
- Bi-directional protection



Electrical Characteristics

Max. DC operating voltage	Uc	200 Vdc
Frequency range	f	DC-6 GHz
Insertion loss		< 0.2 dB
Return loss		> 19 dB
Impedance		50 ohms
VSWR		<1.25:1
Max. load current @25°C	IL	10 A
Max. discharge current max. withstand @ 8/20 μ s by pole	I _{max}	15 kA
Nominal discharge current C2 Category	I _n	5 kA
Protection mode(s)		Common mode
Protection level @ I _n (8/20 μ s)	U _p	< 2300 V
Impulse current 2 x 10/350 μ s Test - D1 Category	I _{imp}	1 kA
Max Power		190 W
Typical let through energy (50 ohms) input 4kV 1.2/50 μ s - 2kA 8/20 μ s		2.2 mJ
DC Pass		Yes
Insulation resistance	IR	≥ 10 GOhms

Mechanical Characteristics

Technology		Gas discharge tube
Connection to Network		Connector N Male/Female
Mounting		Feedthrough
Housing material		Brass/Surface plating: Cu Zn Sn
Operating temperature	T _u	-40/+85°C
Protection rating		IP65
Failsafe mode		Short-circuit
Disconnection indicator		Transmission interrupt
Spare module(s)		1 x BA HF
Dimensions		See diagram
Contacts		Bronze/Surface Au-Ag

Standards

Standards compliance		IEC 61643-21 / EN 61643-21 / UL497E
RoHS compliance		Yes

Part number

68004

