

Type 2 (or 3) AC Surge Protector DS10 series

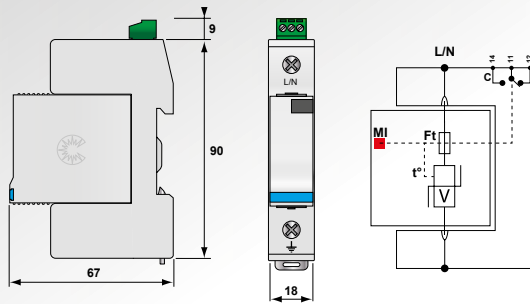


CITEL

**Imax
10 kA**



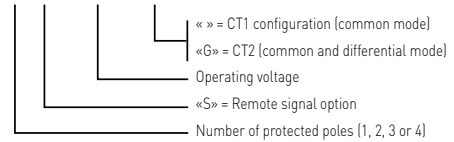
DS11-120



V: High-energy varistor
Ft: Thermal fuse
C: Remote signaling contact
t°: Thermal disconnection system
Mi: Disconnection indicator

- Type 2 (or 3) Surge Protector
- In : 5 kA
- I_{max} : 10 kA
- Pluggable module by phase
- Remote signaling option
- IEC 61643-11, EN 61643-11 and UL1449 ed.4 compliance

DS1x S-xxx/G



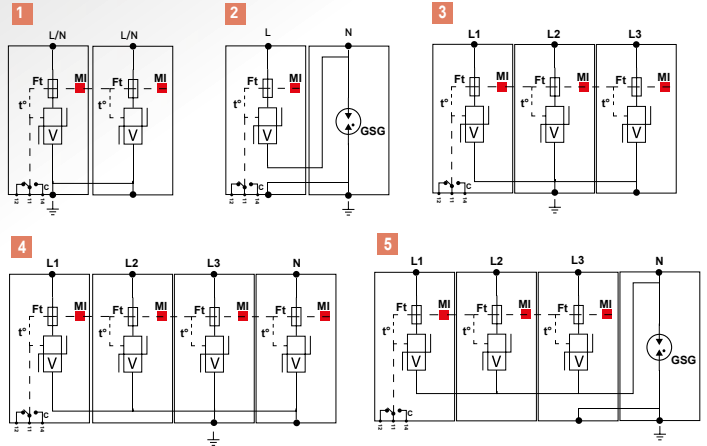
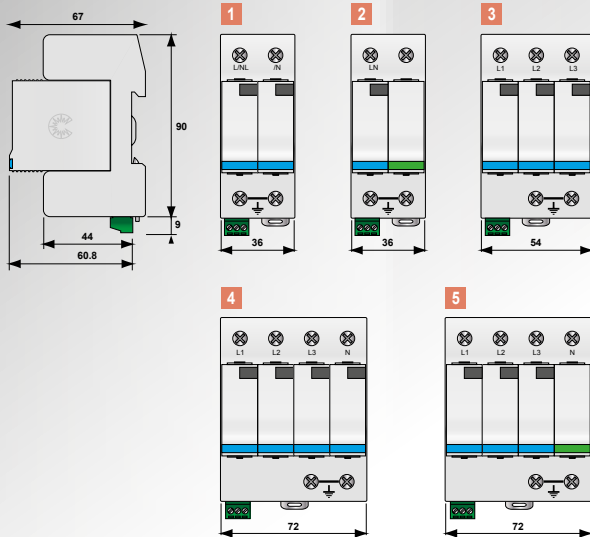
Characteristics

CITEL Model	DS11-400	DS11-230	DS11-120
Description	Type 2 (or 3) AC surge protector - one-phase		
Network	230/400 V	230/400 V	120/208 V
Max. AC operating voltage	Uc 440 Vac	255 Vac	150 Vac
Temporary Over Voltage (TOV) Characteristics - 5 sec.	UT 580 Vac withstand	335 Vac withstand	180 Vac withstand
Temporary Over Voltage (TOV) Characteristics - 120 mn	UT 770 Vac disconnection	440 Vac disconnection	230 Vac disconnection
Residual current - Leakage current at Uc	I _{pe} < 1 mA	< 1 mA	< 1 mA
Follow current	I _f None	None	None
Nominal discharge current - 15 x 8/20 μs impulses	I _n 5 kA	5 kA	5 kA
Max. discharge current -max. withstand @ 8/20 μs by pole	I _{max} 10 kA	10 kA	10 kA
Withstand on Combination waveform - Class III test	Uoc 10 kV	10 kV	10 kV
Protection level	Up 1.3 kV	0.9 kV	0.6 kV
Admissible short-circuit current	I _{scrr} 25000 A	25000 A	25000 A
Associated disconnectors			
Thermal disconnector	internal		
Fuses	Fuses Type gG - 20 A*		
Installation ground fault breaker	Type «S» or delayed		
Mechanical characteristics			
Dimensions	see diagram		
Connection to Network	By screw terminals: 2.5-25 mm ² / by bus		
Disconnection indicator	1 mechanical indicator		
Remote signaling of disconnection	option DS11S-400 : output on changeover contact	option DS11S-230 : output on changeover contact	option DS11S-120 : output on changeover contact
Spare unit	DSM10-400	DSM10-230	DSM10-120
Mounting	Symmetrical rail 35 mm (EN60715)		
Operating temperature	-40/+85°C		
Protection rating	IP20		
Housing material	Thermoplastic UL94-V0		
Standards compliance	IEC 61643-11 / EN 61643-11 / UL1449 ed.4		
Certification	EAC		
Part number	341401	341501	341601

* Note: Rating in compliance with NF C15-100 art.534.1.5.3. In order to increase service continuity, higher rating can be used. For further information, please consult product instructions.



Type 2 (or 3) Multipolar Surge Protector DS12, D13, D14



V: High-energy varistor
GSG: Specific gas tube
Ft: Thermal fuse
C: Remote signaling contact
t[°]: Thermal disconnection system
Mi: Disconnection indicator



DS14-230/G

Model	P/N	Network	AC system	Protection Mode	I _{total}	Up L/PE	Up L/N	Up N/PE	Diagram
DS14-230/G	471512	230/400 V 3-phase+N	TT-TNS	L/N and N/PE	40 kA	-	0.9 kV	1.5 kV	5
DS14-120/G	471612	120/208 V 3-phase+N	TT-TNS	L/N and N/PE	40 kA	-	0.6 kV	1.5 kV	
DS14-400	471402	230/400 V 3-phase+N	IT	L/PE	40 kA	1.3 kV	-	1.3 kV	4
DS14-230	471502	230/400 V 3-phase+N	TNS	L/PE and N/PE	40 kA	0.9 kV	-	0.9 kV	
DS14-120	471602	120/208 V 3-phase+N	TNS	L/PE and N/PE	40 kA	0.6 kV	-	0.6 kV	3
DS13-400	341403	230/400 V 3-phase	IT	L/PE	30 kA	1.3 kV	-	-	
DS13-230	341503	230/400 V 3-phase	TNC	L/PE	30 kA	0.9 kV	-	-	3
DS13-120	341603	120/208 V 3-phase	TNC	L/PE	30 kA	0.6 kV	-	-	
DS12-230/G	471511	230 V single phase	TT-TN	L/N and N/PE	20 kA	-	0.9 kV	1.5 kV	2
DS12-120/G	471611	120 V single phase	TT-TN	L/N and N/PE	20 kA	-	0.6 kV	1.5 kV	
DS12-400	471401	230 V single phase	IT	L/PE	20 kA	1.3 kV	-	1.3 kV	1
DS12-230	471501	230 V single phase	TN	L/PE and N/PE	20 kA	0.9 kV	-	0.9 kV	
DS12-120	471601	120 V single phase	TN	L/PE and N/PE	20 kA	0.6 kV	-	0.6 kV	