

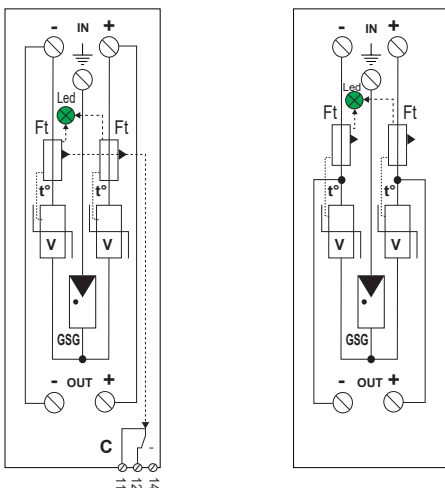
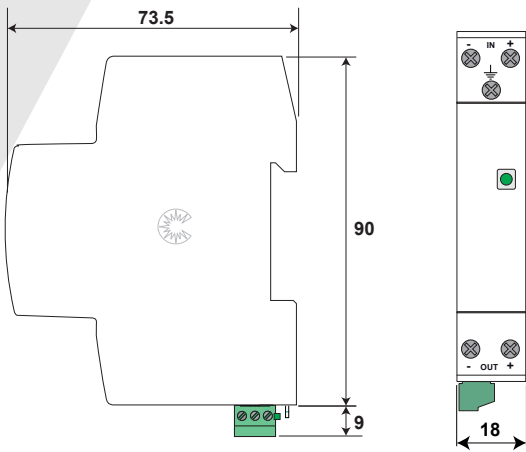
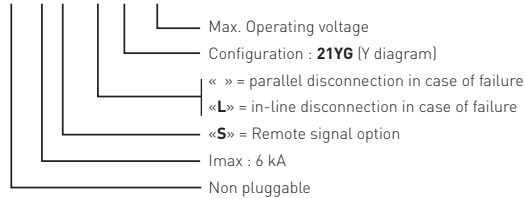
# DDCN10 SERIES



DDCN03S-21YG-30

- DC Power Type 2+3 SPD
- 2-port configuration (series mounting)
- Compact and Cost effective
- I<sub>max</sub> : 3/6 kA
- Load current 25/16 A
- Remote signaling option
- In-line disconnection option
- IEC 61643-11 compliance

## DDCN06S-Lxx-xxx



DDCN03S-21YG-30

DDCN06-L21YG-65

V: High-energy varistor  
 GSG : specific gas tube  
 Ft: Thermal fuse  
 C: Remote signaling contact  
 t°: Thermal disconnection system  
 Led : Disconnection indicator

## Characteristics

CITEL Model		DDCN03-21YG-30	DDCN06-21YG-65	DDCN03-L21YG-30	DDCN06-L21YG-65
Description		Type 2+3 2-port DC surge protector			
Norminal DC Voltage		24 Vdc	48 Vdc	24 Vdc	48 Vdc
Max. DC operating voltage	Uc	30 Vdc	65 Vdc	30 Vdc	65 Vdc
Max. load current	IL	25 A	25 A	16 A	16 A
Residual current Leakage current at Uc	I <sub>pe</sub>	none	none	none	none
Nominal discharge current 15 x 8/20 μs impulses	I <sub>n</sub>	1.5 kA	2.0 kA	1.5 kA	2.0 kA
Max. discharge current max. withstand Id 8/20 μs by pole	I <sub>max</sub>	3.0 kA	6.0 kA	3.0 kA	6.0 kA
Withstand on combinaison waveform - Class III test	Uoc	3.0 kV	4.0 kV	3.0 kV	4.0 kV
Protection level Id In (8/20μs)	Up +/-	0.2 kV	0.5 kV	0.2 kV	0.5 kV
	Up +/PE	0.8 kV	0.8 kV	0.8 kV	0.8 kV
	Up -/PE	0.8 kV	0.8 kV	0.8 kV	0.8 kV
Admissible short-circuit current	I <sub>scrr</sub>	10 000 A	10 000 A	10 000 A	10 000 A
<b>Associated disconnectors</b>					
Thermal disconnector		internal			
Associated Fuses		25 A gG Type		16 A gG Type	
<b>Mechanical characteristics</b>					
Dimensions		see diagram, 1 TE (DIN43880)			
Connection to Network		By screw terminals: 1.5-10 mm <sup>2</sup>			
Disconnection indicator		Green LED off			
Fail-safe mode		Disconnection		Disconnection+ AC line cut off	
Remote signaling of disconnection output on NC contact		option DDCN03S-21YG-30	option DDCN06S-21YG-65	option DDCN03S-L21YG-65	option DDCN06S-L21YG-65
Max. voltage/current for remote signaling		250 V/0.5 A (AC) , 30 V/3 A (DC)			
Wiring for remote signaling		max. 1.5 mm <sup>2</sup>			
Mounting		Symmetrical rail 35 mm (EN60715)			
Operating temperature		-40/+85°C			
Protection rating		IP20			
Housing material		Thermoplastic UL94-V0			
<b>Standards</b>					
Compliance		IEC61643-11 / EN61643-11			
Compliance		UL1449 ed.4			
<b>Part number</b>					
Standard version		70124041	70134051	70125041	70135051
Remote signalisation version		70124042	7134052	70125042	70135052