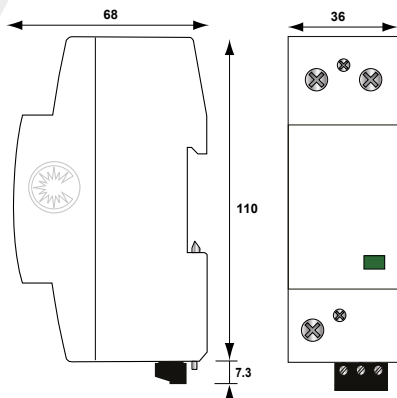




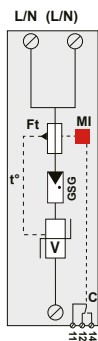
DACN1-25VGS-760

DACN1-25VGS-760 SERIES

- Type 1 + 2 + 3 Surge Protector
- for 690 V AC Network
- VG Technology
- In : 35 kA
- limp : 25 kA
- Remote signaling
- Optimized to TOV
- EN 61643-11, IEC 61643-11, UL1449 ed.4 and GB/T 18802.1 compliance



Electrical diagram for 1 pole



V: High energy varistor
 GSG: Specific gas Tube
 MI: Disconnection indicator
 Ft: Thermal fuse
 t°: Thermal disconnection system
 C: Contact for remote signal

Characteristics

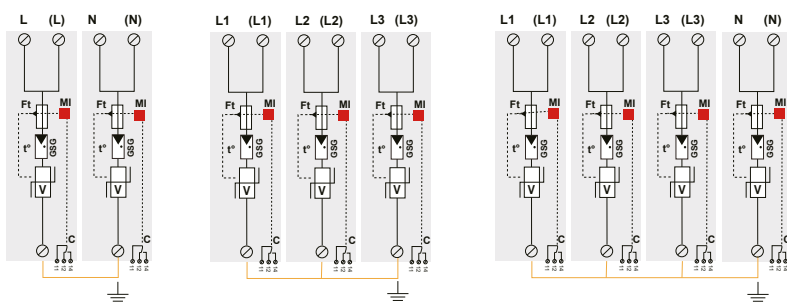
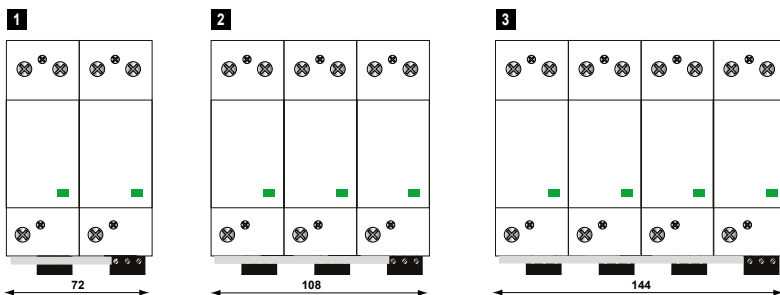
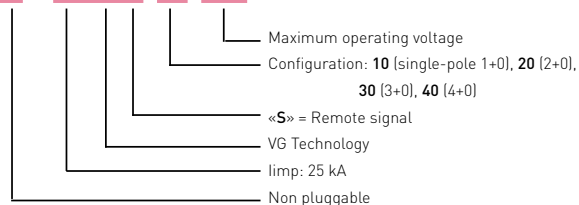
| CITEL model | | DACN1-25VGS-10-760 |
|---|------------------|---|
| Description | | Type 1+2+3 AC surge protector - 1-pole |
| Max. AC operating voltage | Uc | 760 Vac |
| Temporary Over Voltage (TOV) characteristics - 5 sec | UT | 1000 Vac |
| Temporary Over Voltage (TOV) characteristics - 20 mn | UT | 1325 Vac |
| Residual current - Leakage current at Uc | Ipe | none |
| Max. Load current (if connection serie) | IL | 100 A |
| Follow current | If | none |
| Nominal discharge current 15 x 8/20µs impulses | In | 35 kA |
| Maximal discharge current max. withstand @ 8/20 µs | I _{max} | 70 kA |
| Impulse current by pole max. withstand @ 10/350 µs by pole | limp | 25 kA |
| Specific energy by pole | W/R | 156 kJ/ohm |
| Withstand on combination waveform Class III test | Uoc | 6 kV |
| Protection level @ In (8/20µs) et 6 kV (1.2/50µs) | Up | 2.5 kV |
| Residual voltage @ 25kA (8/20µs) | Up-25kA | 2.1 kV |
| Residual voltage @ 5kA (8/20µs) | Up-5kA | 1.6 kV |
| Admissible short-circuit current | I _{sc} | 50 000 A |
| Associated disconnectors | | |
| Thermal disconnector | | internal |
| Fuses | | Fuse type gG - 315 A |
| Existing upstream ground breaker (if any) | | Type «S» or delayed |
| Mechanical characteristics | | |
| Dimensions | | see diagram, 2 TE (DIN43880) |
| Connection to network | | by screw terminals : 2.5-25 mm ² (35mm ² rigid) |
| Disconnection indicator | | 1 mechanical indicator Green/Red |
| Remote signaling of disconnection | | output on changeover contact |
| Failsafe mode | | Disconnection from AC network |
| Max. voltage/current for remote signaling | | 250 V/0.5 A (AC), 30 V/3 A (DC) |
| Wiring for remote signaling | | 1.5 mm ² max. |
| Mounting | | Symmetrical rail 35 mm ² (EN60715) |
| Operating temperature | | -40/+85°C |
| Protection rating | | IP20 |
| Housing material | | Thermoplastic UL94 V-0 |
| Standards | | |
| Compliance | | IEC 61643-11 / EN 61643-11 / UL1449 ed.4 / GB/T 18802.1 |
| Certification | | TUV Rheinland |
| Part number | | |
| | | 29221012 |

TYPE 1 + 2 + 3 MULTIPOLAR AC SURGE PROTECTORS

DACN1-25VGS-20, DACN1-25VGS-30, DACN1-25VGS-40



DACN1-25VGS-xx-xxx



V: High energy varistor
GSG: Specific gas Tube
MI: Disconnection indicator
Ft: Thermal fuse
t°: Thermal disconnection system
C: Contact for remote signal

| Model | P/N | Network | AC System | Protection Mode | limp total | Up L/PE | Up N/PE | Dimension DIN43880 | Diagram |
|--------------------|----------|---------------------|-------------------|-----------------|------------|---------|---------|--------------------|---------|
| DACN1-25VGS-40-760 | 29224012 | 400/690 V 3-phase+N | TN System (4+0) | L/PE and N/PE | 100 kA | 2.5 kV | 2.5 kV | 8TE | 3 |
| DACN1-25VGS-30-760 | 29223012 | 400/690 V 3-phase | TN-C System (3+0) | L/PE | 75 kA | 2.5 kV | - | 6TE | 2 |
| DACN1-25VGS-20-760 | 29222012 | 400 V Single phase | IT System (2+0) | L/PE and N/PE | 50 kA | 2.5 kV | 2.5 kV | 4 TE | 1 |