

# DLAH SERIES



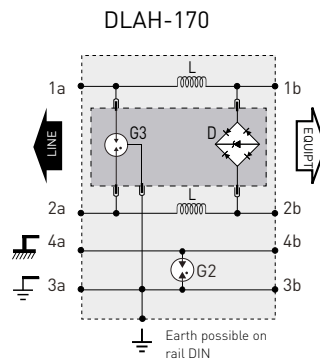
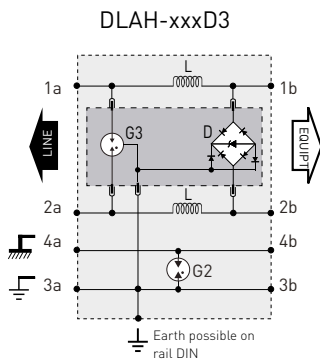
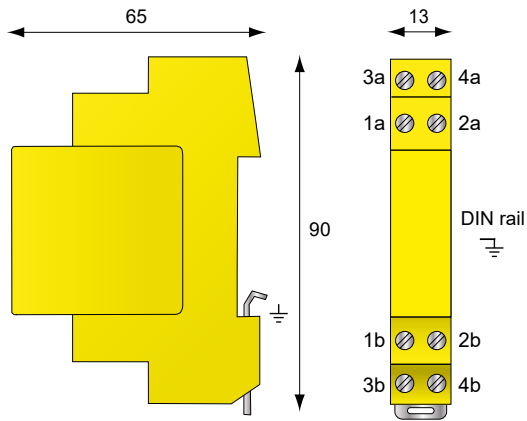
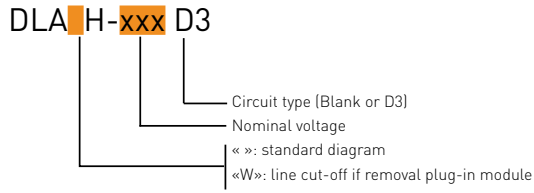
DLAH-06D3

- Pluggable surge protection for «DIN» mounting
- All types of Data lines
- Coordination inductor
- Up to 2.4 A line current
- Shield wire protection
- IEC 61643-21 compliance
- UL497B approved

## Characteristics

CITEL Model		DLAH-170	DLAH-06D3	DLAH-12D3	DLAH-24D3	DLAH-48D3
Description		Data SPD- 1-pair DIN mounting - Pluggable				
Network		RTC, ADSL2, VDSL2	RS422 RS485	RS232, RS485	4-20 mA	RNIS-T0, ligne 48V
SPD configuration		1-pair+shield + signal ground	1-pair+shield	1-pair+shield	1-pair+shield + signal ground	1-pair+shield + signal ground
Nominal line voltage	Un	150 V	6 V	12 V	24 V	48 V
Max. DC operating voltage	Uc	170 V	8 V	15 V	28 V	53 V
Max. Load current	IL	2.4 A	2.4 A	2.4 A	2.4 A	2.4 A
Max. frequency	f max	> 1.8 MHz	> 1.8 MHz	> 1.8 MHz	> 1.8 MHz	> 1.8 MHz
Insertion loss @ fmax		< 3 dB	< 3 dB	< 3 dB	< 3 dB	< 3 dB
Nominal discharge current <i>10 x 8/20µs Test - C2 Category</i>	In	5 kA	5 kA	5 kA	5 kA	5 kA
Max. discharge current <i>max. withstand @ 8/20 µs by pole</i>	Imax	20 kA	20 kA	20 kA	20 kA	20 kA
Impulse current [X-C] <i>2 x 10/350µs Test - D1 Category</i>	Iimp	5 kA	5 kA	5 kA	5 kA	5 kA
Protection level [X-C] <i>300 x 10/1000µs Test - C3 Category @ 10A</i>	Up	650 V	20 V	30 V	40 V	70 V
Protection level [X-X] <i>300 x 10/1000µs Test - C3 Category @ 10A</i>	Up	220 V	20 V	30 V	40 V	70 V
Line inductance (+/-10%)		10 µH	10 µH	10 µH	10 µH	10 µH
Failsafe behaviour		Short-circuit	Short-circuit	Short-circuit	Short-circuit	Short-circuit
<b>Mechanical characteristics</b>						
Dimensions		see diagram				
Format		Plug-in DIN box				
Connection to Network		screw terminal - cross section 0.5-2.5 mm²				
Disconnection indicator		transmission interrupt - Default Mode 2				
Mounting		Symmetrical rail 35 mm (EN60715)				
Operating temperature		-40/+85°C				
Protection rating		IP20				
Housing material		Thermoplastic UL94 V-0				
Spare module		DLAAM-170	DLAAM-06D3	DLAAM-12D3	DLAAM-24D3 DLAAM-24D3	DLAAM-48D3
Versions		DLAH-xxx: remote supply version DLAAM-xxx: specific version with line cut-off in case of removal plug-in module				
<b>Standards</b>						
Compliance		IEC 61643-21 / EN 61643-21 / UL497B				
<b>Part number</b>						
DLAH range		641005	641001	641002	641003	641004
DLAAM range		-	-	-	640903	-

# DIN RAIL PLUG-IN SURGE PROTECTOR FOR DATALINE/TELECOM



G3: 3-electrode gas tube  
 G2: 2-electrode gas tube  
 L: Inductor  
 D: Clamping diode