

DIN RAIL PLUG-IN SURGE PROTECTOR FOR DATALINE/TELECOM WITH REMOTE FAILURE INDICATION

DLATS1 SERIES



- 1-pair dataline/telecom surge protection
- Local and Remote signaling of SPD status
- DIN rail mounting , Screw or Spring contact terminals
- Plug-in module
- 1 monitoring module + SPD modules (up to 48) + bus
- Discharge current I_{max}/I_n : 20 kA / 5 kA
- Complies with IEC/EN 61643-21, UL497B

Characteristics

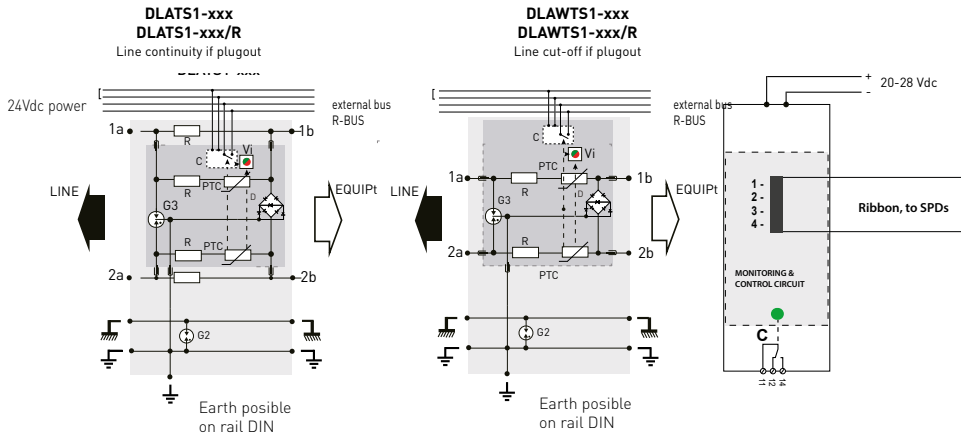
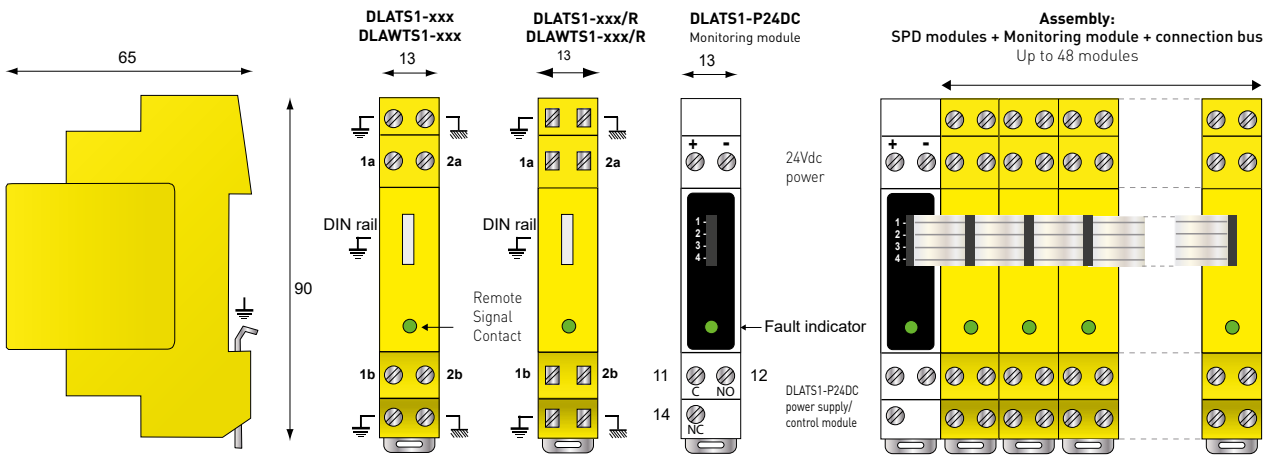
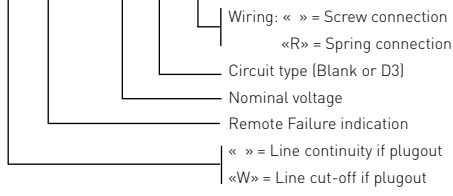
CITEL Model		DLATS1-170	DLATS1-48D3	DLATS1-24D3	DLATS1-12D3	DLATS1-06D3	DLATS1-P24DC
Description		Telecom/Data SPD- 1-pair + shield DIN mounting - Pluggable - Local & Remote signalling					Power supply/ Monitoring module
Network		Telephone line, ADSL2, VDSL	ISDN-T0, 48 V line	4-20 mA	RS232, RS485	RS422	
Configuration		1-pair + shield	1-pair + shield	1-pair + shield	1-pair + shield	1-pair + shield	24 Vdc powered
Nominal line voltage	Un	150 V	48 V	24 V	12 V	6 V	24 Vdc
Max. DC operating voltage	Uc	170 V	53 V	28 V	15 V	8 V	-
Max. Load current	IL	300 mA	300 mA	300 mA	300 mA	300 mA	-
Max. frequency	f max	10 MHz	3 MHz	3 MHz	3 MHz	3 MHz	-
Insertion loss @ fmax		< 1 dB	< 1 dB	< 1 dB	< 1 dB	< 1 dB	-
Nominal discharge current <i>10 x 8/20µs Test - C2 Category</i>	In	5 kA	5 kA	5 kA	5 kA	5 kA	-
Max. discharge current <i>max. withstand @ 8/20 µs by pole</i>	I _{max}	20 kA	20 kA	20 kA	20 kA	20 kA	-
Impulse current <i>2 x 10/350µs Test - D1 Category</i>	I _{imp}	5 kA	5 kA	5 kA	5 kA	5 kA	-
Protection level [X-X] <i>300 x 10/1000µs Test - C3 Category @10A</i>	Up	220 V	70 V	40 V	30 V	20 V	-
Line resistance (+/- 10%)		4.7 ohms	4.7 ohms	4.7 ohms	4.7 ohms	4.7 ohms	-
Failsafe behaviour		Short circuit/ Line disconnection	Short circuit/ Line disconnection	Short circuit/ Line disconnection	Short circuit/ Line disconnection	Short circuit/ Line disconnection	-
Mechanical characteristics							
Dimensions		see diagram					
Format		Plug-in DIN box					
Connection to Network		Screw terminal (DLATS1-xxx) or spring terminal (DLATS1-xxx/R) : : wire cross section 0.5-2.5 mm ²					
Overstressed default mode		transmission interrupt - default mode 2					
Operating/fault indicator		Green/Red					
Remote Signaling		through control module					
Mounting		Symmetrical rail 35 mm (EN60715)					
Operating temperature		-40/+85°C					
Protection rating		IP20					
Housing material		Thermoplastic UL94 V-0					
Spare module		DLATSM1-170	DLATSM1-48D3	DLATSM1-24D3	DLATSM1-12D3	DLATSM1-06D3	DLATSM1-P24DC
Version		DLATS1-xxx: standard version - screw terminal DLATS1-xxx/R: spring contact terminal version DLAWTS1-xxx: specific version with line cut-off in case of removal plug-in module DLAWTS1-XXX/R: spring contact terminal version					
Connection bus		SPD/control module connection by bus: bus 1+4 (1 control module+4 SPD), bus 1+9, bus 1+24, bus 1+48					
Standards							
Compliance		IEC 61643-21 / EN 61643-21 / UL497B					
Part number							
DLATS1-xxx version		6417051	6417041	6417031	6417021	6417011	6417231
DLATS1-xxx/R version		6417054	6417044	6417034	6417024	6417014	
DLAWTS1-xxx version		6421051	6421041	6421031	6421021	6421011	
DLAWTS1-xxx/R version		6421054	6421044	6421034	6421024	6421014	



CITEL

DIN RAIL PLUG-IN SURGE PROTECTOR FOR DATALINE/TELECOM WITH REMOTE FAILURE INDICATION

DLAWTS1-xxx xx/R



- G3: 3-electrode gas tube
- G2: 2-electrode gas tube
- R: Resistor
- PTC : Thermal Resistor
- D: Clamping diode
- Vi : Operating/Failure indicator
- C : Remote signaling contact