

DLU, DLU2 SERIES



DLU-170

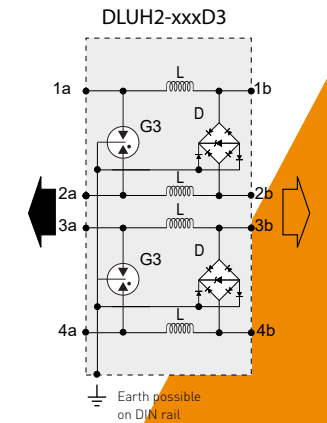
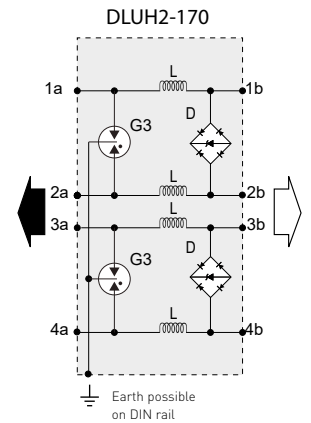
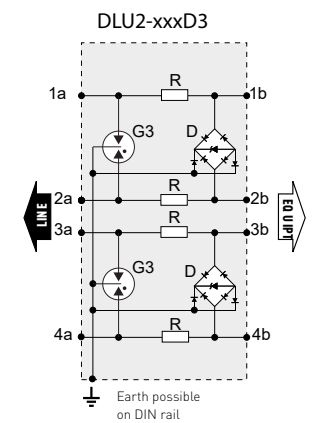
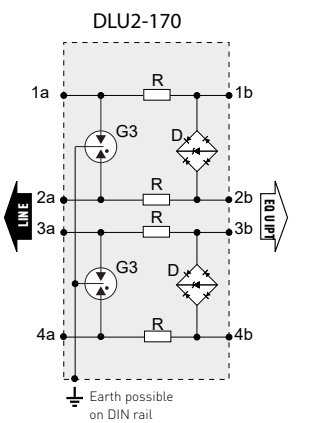
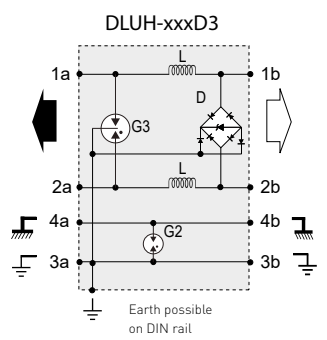
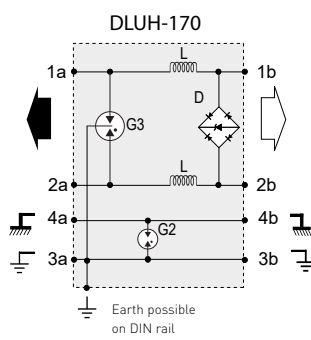
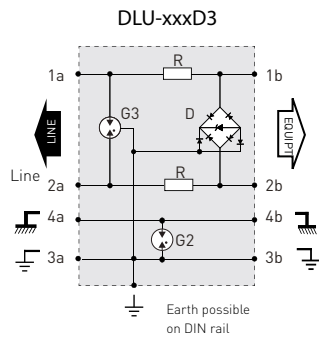
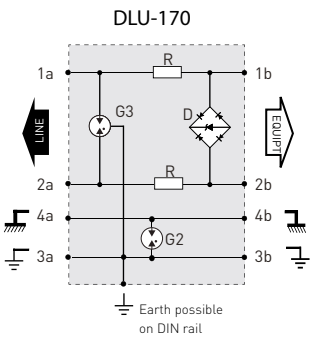
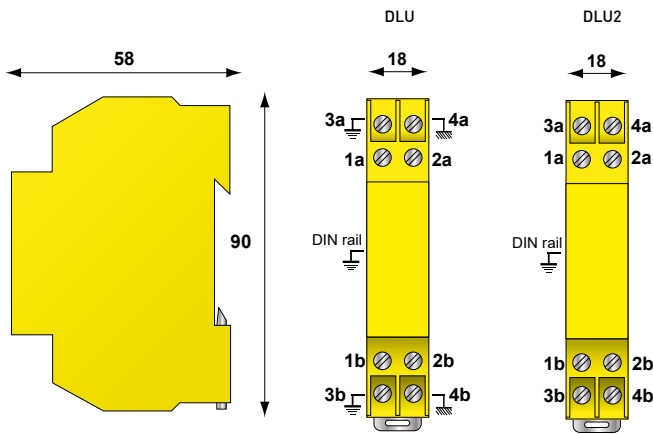
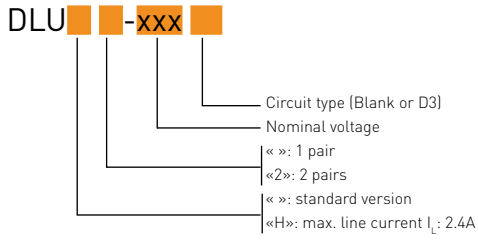
DLU2-48DBC

- For «DIN» rail mounting, Monobloc housing
- All types of Telephone and Data lines
- 1-pair (DLU) or 2-pair version (DLU2)
- Transmission and protection of shield wire (DLU)
- IEC 61643-21 compliance
- UL497 A approved

Characteristics

CITEL Model		DLU-170	DLU-06D3	DLU-12D3	DLU-24D3	DLU-48D3
		DLU2-170	DLU2-06D3	DLU2-12D3	DLU2-24D3	DLU2-48D3
Description		Telecom/Data SPD- 1 or 2-pair -DIN mounting - Monobloc				
Network		Telephone line, ADSL2, VDSL	RS422, 6V line, High bitrate, MIC/T2, 10BaseT	Profibus-FMS, Interbus, FieldBus-H1, RS232, RS485	4-20mA, 24V line	48V line, ISDN-T0, Profibus-PA, Fipway, World- FIP, FieldBus-H2
SPD configuration	DLU DLU2	1-pair + shield 2 pairs	1-pair + shield 2 pairs	1-pair + shield 2 pairs	1-pair + shield 2 pairs	1-pair + shielded 2 pairs
Nominal line voltage	Un	150 V	6 V	12 V	24 V	48 V
Max. DC operating voltage	Uc	170 V	10 V	15 V	28 V	53 V
Max. Load current	IL	300 mA	300 mA	300 mA	300 mA	300 mA
Max. frequency	f max	> 140 MHz	> 140 MHz	> 140 MHz	> 140 MHz	> 140 MHz
Insertion loss @ fmax		< 3 dB	< 3 dB	< 3 dB	< 3 dB	< 3 dB
Nominal discharge current <i>10 x 8/20µs Test - C2 Category</i>	In	5 kA	5 kA	5 kA	5 kA	5 kA
Max. discharge current -max. <i>withstand @ 8/20 µs by pole</i>	Imax	20 kA	20 kA	20 kA	20 kA	20 kA
Impulse current <i>2 x 10/350µs Test - D1 Category</i>	Iimp	5 kA	5 kA	5 kA	5 kA	5 kA
Protection level <i>300 x 10/1000µs Test - C3 Category @10A</i>	Up	220 V	20 V	30 V	40 V	70 V
Line resistance (+/-10%)		4.7 ohms	4.7 ohms	4.7 ohms	4.7 ohms	4.7 ohms
Failsafe behaviour		Short-circuit	Short-circuit	Short-circuit	Short-circuit	Short-circuit
Mechanical characteristics						
Dimensions		see diagram				
Format		DIN box				
Connection to Network		screw terminal - cross section 1.5-2.5 mm ²				
Disconnection indicator		transmission interrupt - default mode 2				
Mounting		Symmetrical rail 35 mm (EN60715)				
Operating temperature		-40/+85°C				
Protection rating		IP20				
Housing material		Thermoplastic UL94 V-0				
Versions		DLU-xxx: version 1 pair DLU2-xxx: version 2 pairs DLUH-xxx: «remote supply» version 1-pair (max. line current IL = 2,4 A and fmax < 1.5 MHz @ < 3 dB) DLUH2-xxx: «remote supply» version 2 pairs (max. line current IL = 2,4 A and fmax < 1.5 MHz @ < 3 dB)				
Standards						
Compliance		IEC 61643-21 / EN 61643-21 / UL497B				
Part number						
DLU range		640505	640501	640502	640503	640504
DLUH range		640705	640701	640702	640703	640704
DLU2 range		640405	640402	640403	640401	640404
DLUH2 range		640735	640731	640732	640733	640734

DIN RAIL SURGE PROTECTOR FOR DATALINE/TELECOM



- G3: 3-electrode gas tube
- G2: 2-electrode gas tube
- R: Resistor (or L: inductor for DLUH version)
- D: Clamping diode
- L: Inductor