



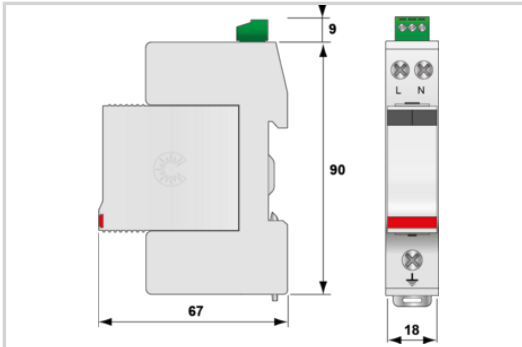
# Compact 1-phase Type 2 (or 3) surge protector - 120 V -Pluggable

# CITEL

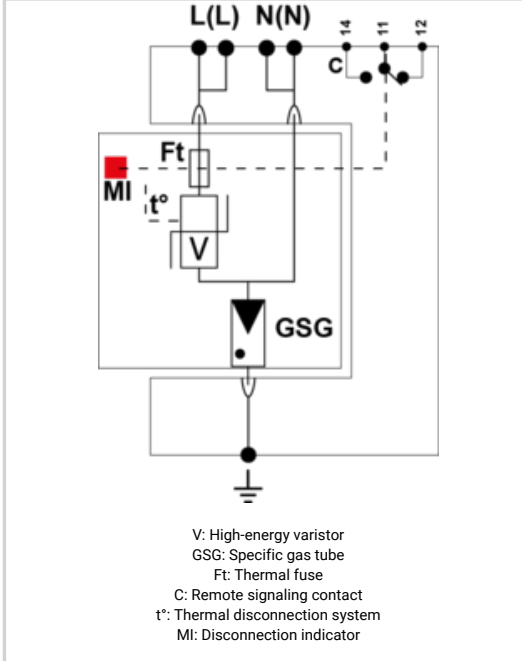
## DS240S-120/G



- Compact single-phase Type 2 surge protector
- $I_n$  : 20 kA
- $I_{max}$  : 40 kA
- Common/Differential mode
- Pluggable module
- Remote signaling
- EN 61643-11, IEC 61643-11 compliance
- UL1449 ed.5



Electrical Characteristics	
SPD type	2
Network	120 V single-phase
AC system	TT-TN
Nominal line voltage	$U_n$ 120 Vac
Max. AC operating voltage	$U_c$ 150 Vac
Max. load current <i>if series connection</i>	$I_L$ 20 A
Temporary Over Voltage (TOV) Characteristics - 5 sec. <i>Without disconnection</i>	UT 180 Vac withstand
Temporary Over Voltage (TOV) Characteristics - 120 mn <i>Without disconnection or with safety disconnection</i>	UT 230 Vac disconnection
Temporary Over Voltage N/PE (TOV HT) <i>Without disconnection or with safety disconnection</i>	UT 1200 V/300A/200 ms withstand
Residual Current <i>Leakage current to Ground</i>	$I_{pe}$ None
Follow current	$I_f$ None
Nominal discharge current <i>15 x 8/20 <math>\mu</math>s impulses</i>	$I_n$ 20 kA
Max. discharge current <i>max. withstand @ 8/20 <math>\mu</math>s by pole</i>	$I_{max}$ 40 kA
Total Maximum discharge current <i>max. total withstand @ 8/20 <math>\mu</math>s</i>	$I_{max}$ Total 40 kA
Protection mode(s)	Common/Differential mode
Residual voltage at 5 kA <i>@ 5 kA (8/20<math>\mu</math>s)</i>	$U_{p-5kA}$ 1.5/0.6 kV
Protection level CM/DM <i>@ <math>I_n</math> (8/20<math>\mu</math>s)</i>	$U_{p\ mc /md}$ 1.5/0.9 kV
Admissible short-circuit current	$I_{sc}$ 10 000 A



Mechanical Characteristics	
SPD configuration	Single phase
Connection to Network	By screw terminals: 1.5-10mm <sup>2</sup> (L/N) or 2.5-25mm <sup>2</sup> (PE)
Format	Plug-in modular box
Mounting	Symmetrical rail 35 mm (EN 60715)
Housing material	Thermoplastic UL94 V-0
Operating temperature	$T_u$ -40/+85°C
Protection rating	IP20
Failsafe mode	Disconnection from AC network
Disconnection indicator	1 mechanical indicator
Spare module(s)	DSM240-120/G
Remote signaling of disconnection	Output on changeover contact

Disconnectors	
Thermal disconnector	Internal
Installation ground fault breaker	Type 'S' or delayed
Back-up protection device	Fuses type gG - 50 A

Standards	
Standards compliance	IEC 61643-11 / EN 61643-11 / UL1449 ed.5
Certification	CSA / UL

Part number	
311631	

