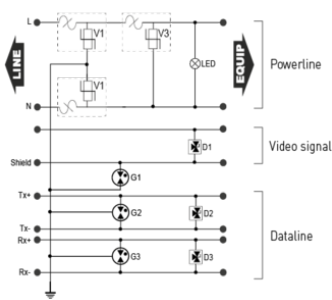
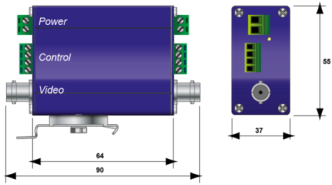




# CITEL

## MSP-VM230-2P



G: Gas discharge tube  
 V: Varistor  
 D: Clamping diode network  
 LED: Indicator

### Electrical Characteristics

|  |        |                          |
|--|--------|--------------------------|
| Network  |        | 230 V single-phase       |
| AC system  |        | TT-TN                    |
| Max. DC operating voltage  | Uc     | 255 Vdc                  |
| Max. frequency   | f max. | 16 MHz                   |
| Insertion loss   |        | < 0.1 dB                 |
| Max. load current @25°C  | IL     | 5 A                      |
| Nominal discharge current 15 x 8/20 µs impulses                                  | In     | 5 kA                     |
| Max. discharge current max. withstand @ 8/20 µs by pole                          | Imax   | 10 kA                    |
| Withstand on Combination waveform IEC 61643-11 Class III test: 1.2/50µs - 8/20µs | Uoc    | 10 kV / 5 kA             |
| Protection mode(s)   |        | Common/Differential mode |
| Protection level @ In (8/20µs)   | Up     | 1.2 kV                   |
| Protection level @ In (8/20 µs)  | Up L/L | 20 V                     |

|             |  |              |
|-------------|--|--------------|
| <b>ELEC</b> |  |              |
| Network     |  | Signal video |

|                           |    |       |
|---------------------------|----|-------|
| <b>ELEC</b>               |    |       |
| Max. DC operating voltage | Uc | 6 Vdc |

|                |        |         |
|----------------|--------|---------|
| <b>ELEC</b>    |        |         |
| Max. frequency | f max. | 100 Mhz |

|                |  |       |
|----------------|--|-------|
| <b>ELEC</b>    |  |       |
| Insertion loss |  | < 1dB |

|                        |    |        |
|------------------------|----|--------|
| <b>ELEC</b>            |    |        |
| Max. load current@25°C | IL | 300 mA |

|   |    |      |
|---|----|------|
| <b>ELEC</b>                                     |    |      |
| Nominal discharge current 15 x 8/20 µs impulses | In | 5 kA |

|   |      |       |
|---|------|-------|
| <b>ELEC</b>   |      |       |
| Max. discharge current max. withstand @ 8/20 µs by pole | Imax | 10 kA |

|                                |    |      |
|--------------------------------|----|------|
| <b>ELEC</b>                    |    |      |
| Protection level @ In (8/20µs) | Up | 20 V |

|             |  |                      |
|-------------|--|----------------------|
| <b>ELEC</b> |  |                      |
| Network     |  | 2 pairs signal 0-5 V |

|                           |    |       |
|---------------------------|----|-------|
| <b>ELEC</b>               |    |       |
| Max. DC operating voltage | Uc | 8 Vdc |

|                |        |        |
|----------------|--------|--------|
| <b>ELEC</b>    |        |        |
| Max. frequency | f max. | 16 Mhz |

|                |  |       |
|----------------|--|-------|
| <b>ELEC</b>    |  |       |
| Insertion loss |  | < 1dB |

|                        |    |        |
|------------------------|----|--------|
| <b>ELEC</b>            |    |        |
| Max. load current@25°C | IL | 300 mA |

|   |    |        |
|---|----|--------|
| <b>ELEC</b>                                     |    |        |
| Nominal discharge current 15 x 8/20 µs impulses | In | 2.5 kA |

|   |      |      |
|---|------|------|
| <b>ELEC</b>   |      |      |
| Max. discharge current max. withstand @ 8/20 µs by pole | Imax | 5 kA |

|                                |    |      |
|--------------------------------|----|------|
| <b>ELEC</b>                    |    |      |
| Protection level @ In (8/20µs) | Up | 20 V |

### Mechanical Characteristics

|                         |    |                                      |
|-------------------------|----|--------------------------------------|
| Technology              |    | MOV+GDT                              |
| Connection to Network   |    | By screw terminals: 2.5mm² max.      |
| Format                  |    | DIN rail or flange                   |
| Mounting                |    | DIN rail or plate (flange)           |
| Housing material        |    | Anodized aluminum                    |
| Operating temperature   | Tu | -40/+85°C                            |
| Protection rating       |    | IP20                                 |
| Failsafe mode           |    | Green LED OFF and line cut-off       |
| Disconnection indicator |    | LED green OFF and AC network cut-off |

|                      |  |
|----------------------|--|
| Dimensions           | See diagram                              |
| Weight               | 0.176 kg                                 |
| Standards            |  |
| Standards compliance | IEC 61643-21 / EN 61643-21 / UL1449 ed.5 |
| Part number          |  |
| 420431               |  |