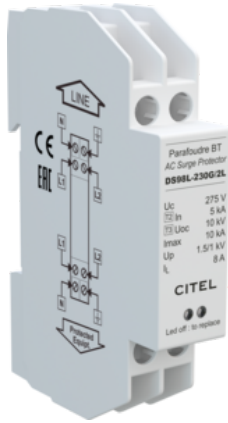




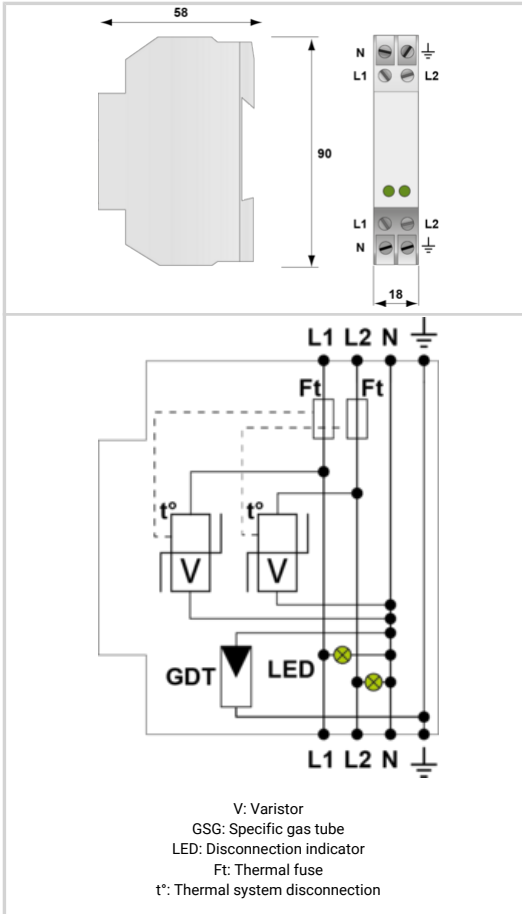
Compact single-phase type 2 (or 3) surge protector - Monobloc

CITEL

DS98L-230G/2L



- Cost effective single-phase surge protector
- Safety disconnection in-line
- Double connection in series
- Common/Differential mode



Electrical Characteristics	
SPD type	2 (or 3)
Network	2-phase + N 230 V
AC system	TT-TN
Nominal line voltage	Un 230 Vac
Max. AC operating voltage	Uc 275 Vac
Max. load current @25°C	IL 8 A
Temporary Over Voltage (TOV) Characteristics - 5 sec. Without disconnection	UT 335 Vac withstand
Temporary Over Voltage (TOV) Characteristics - 120 mn Without disconnection or with safety disconnection	UT 440 Vac disconnection
Follow current	If None
Nominal discharge current 15 x 8/20 μs impulses	In 5 kA
Max. discharge current max. withstand @ 8/20 μs by pole	Imax 10 kA
Withstand on Combination waveform IEC 61643-11 Class III test: 1.2/50μs - 8/20μs	Uoc 10 kV
Withstand on overvoltages IEEE C62.41.1	10 kV
Connection mode(s)	L/N/PE
Protection mode(s)	Common/Differential mode
Protection level L/N @ In (8/20μs)	Up L/N 1 kV
Protection level N/PE @ In (8/20μs)	Up N/PE 1.5 kV
Admissible short-circuit current	Iscrc 10 000 A
Mechanical Characteristics	
SPD configuration	2-phase+N
Connection to Network	By screw terminals: 2.5mm² max.
Format	Monobloc modular box
Mounting	Symmetrical rail 35 mm (EN 60715)
Housing material	Thermoplastic UL94 V-0
Operating temperature	Tu -40/+85°C
Protection rating	IP20
Failsafe mode	Disconnection from AC network
Disconnection indicator	Green LED OFF
Remote signaling of disconnection	No
Dimensions	See diagram
Weight	0.069 kg
Disconnectors	
Thermal disconnector	Internal
Installation ground fault breaker	Type 'S' or delayed
Back-up protection device	Fuse type gG - 16 A
Standards	
Standards compliance	IEC 61643-11 / EN 61643-11 / UL1449 ed.5
Certification	
Part number	
351933	

