



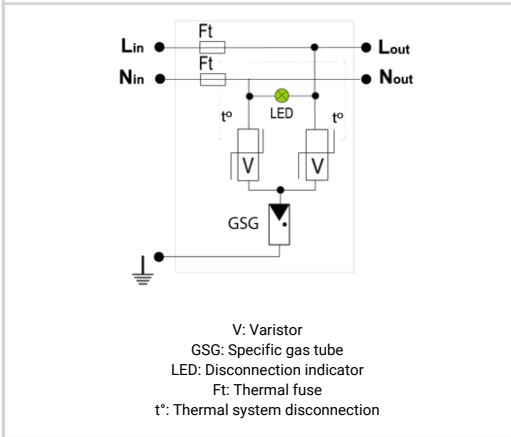
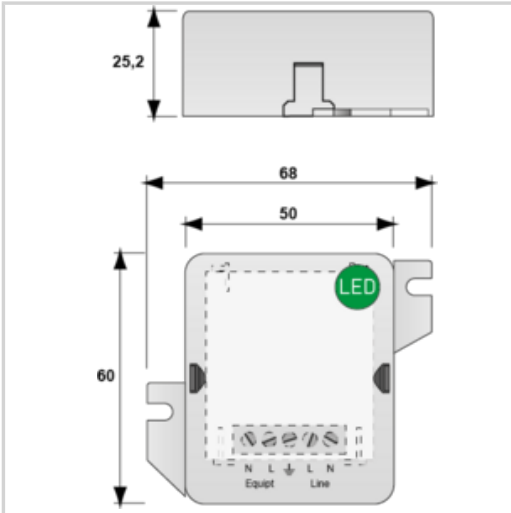
# Compact Type 2+3 hard wired surge protector

# CITEL

## MSB10C-400



- ↳ Compact type 2 + 3 surge protector
- ↳ Wall mounting and hard wired connection
- ↳ Status indicators
- ↳ IP66
- ↳ EN 61643-11 and IEC 61643-11, UL1449 ed.5 compliance



Electrical Characteristics	
SPD type	2+3
Network	230 V single-phase
AC system	TT-TN
Nominal line voltage	Un 230 V
Max. AC operating voltage	Uc 255 Vac
Max. load current @25°C	IL 16 A
Temporary Over Voltage (TOV) Characteristics - 5 sec. Without disconnection	UT 335 Vac withstand
Temporary Over Voltage (TOV) Characteristics - 120 mn Without disconnection or with safety disconnection	UT 440 Vac disconnection
Follow current	If None
Nominal discharge current 15 x 8/20 µs impulses	In 3 kA
Max. discharge current max. withstand @ 8/20 µs by pole	Imax 10 kA
Withstand on Combination waveform IEC 61643-11 Class III test: 1.2/50µs - 8/20µs	Uoc 6 kV
Withstand on overvoltages IEEE C62.41.1	10 kV / 10 kA
Protection mode(s)	Common/Differential mode
Protection level L/N @ In (8/20µs)	Up L/N 1.5 kV
Protection level L/PE @ In (8/20µs)	Up L/PE 1.5 kV
Admissible short-circuit current	Iscsr 10 000 A
Mechanical Characteristics	
Technology	MOV+GDT
Connection to Network	By screw terminal
Mounting	Wall or plate
Housing material	Thermoplastic UL94 V-0
Operating temperature	Tu -40/+85°C
Protection rating	IP20
Failsafe mode	Disconnection and AC line cut-off
Disconnection indicator	Green LED OFF
Voltage/operating indicator	Green Led ON
Dimensions	See diagram
Weight	0.050 kg
Disconnectors	
Thermal disconnector	Internal
Installation ground fault breaker	Type 'S' or delayed
Standards	
Standards compliance	IEC 61643-11 / EN 61643-11 / UL1449 ed.5
Certification	
Part number	
561301	

