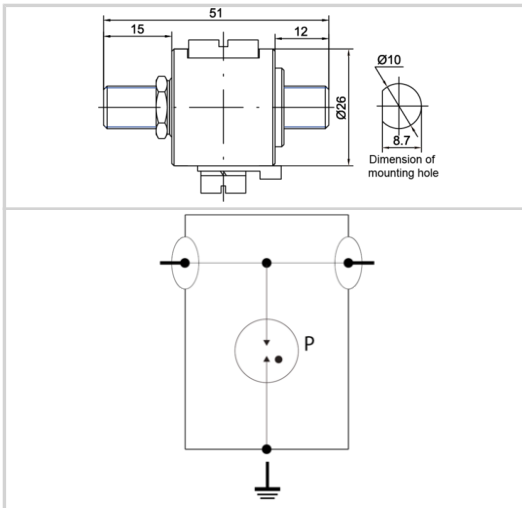


## P8AX09-F/FF



- RF coaxial surge protector
- 2 GHz
- 15 W
- Connectors: F
- Low insertion loss
- Removable GDT
- DC-pass
- Bi-directional protection



Electrical Characteristics			
Max. DC operating voltage	Uc		72 Vdc
Frequency range	f		DC-2 GHz
Insertion loss			< 0.5 dB
Return loss			> 18 dB
Impedance			75 ohms
VSWR			< 1.3:1
Max. load current @25°C	IL		10 A
Residual Current Leakage current to Ground	Ipe		None
Max. discharge current max. withstand @ 8/20 µs by pole	I <sub>max</sub>		20 kA
Protection mode(s)			Common mode/Differential mode
Protection level @1kV/µs (C3)	Up		< 650 V
Impulse current 2 x 10/350µs Test - D1 Category	I <sub>imp</sub>		1 kA
Nominal discharge current C2 Category	I <sub>n</sub>		5 kA
Max Power			15 W
Typical let through energy (50 ohms) input 4kV 1.2/50µs - 2kA 8/20µs			300 µJ
DC Pass			Yes
Insulation resistance	IR		≥10 GOhms
Mechanical Characteristics			
Technology			Gas discharge tube
Connection to Network			Connector F Female/Female
Mounting			Feedthrough
Housing material			Brass/Surface plating: Cu Zn Sn
Operating temperature	Tu		-40/+85°C
Protection rating			IP65
Failsafe mode			Short-circuit
Disconnection indicator			Transmission interrupt
Spare module(s)			BBHF-90V
Dimensions			See diagram
Contacts			Bronze/Surface Au-Ag
Weight			0.096 kg
Standards			
Standards compliance			IEC 61643-21 / EN 61643-21 / UL497E
RohS compliance			Yes
Part number			
60211			