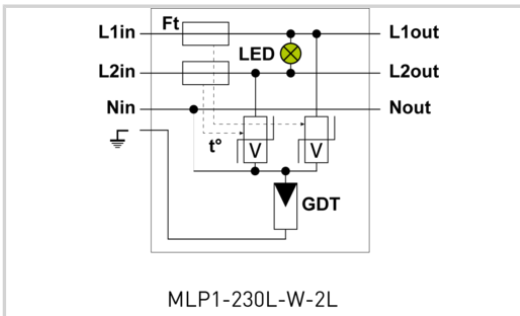


Specially developed spd with combined protection for 2-phase power supply (control phase):



- Many variants available depending on application
- With screw terminals or cable wiring
- IP65 versions
- For protection class I or II application
- Developed for U_{oc} : 10 kV and I_{max} : 10 kA for highest outdoor requirements according to IEEE & ANSI
- Optical error signalling



Electrical Characteristics	
SPD type	2+3
Network	220-240 V Single-phase
AC system	TT-TN
Nominal line voltage	U_n 230-277 Vac
Max. AC operating voltage	U_c 305 Vac
Max. frequency	f_{max} 10 MHz
Max. load current @25°C	I_L 2.5 A
Temporary Over Voltage (TOV) Characteristics - 5 sec. Without disconnection	U_T 335 Vac withstand
Temporary Over Voltage (TOV) Characteristics - 120 mn Without disconnection or with safety disconnection	U_T 440 Vac disconnection
Residual Current Leakage current to Ground	I_{pe} None
Follow current	I_f None
Nominal discharge current 15 x 8/20 μ s impulses	I_n 5 kA
Max. discharge current max. withstand @ 8/20 μ s by pole	I_{max} 10 kA
Total Maximum discharge current max. total withstand @ 8/20 μ s	I_{max} Total 20 kA
Withstand on Combination waveform IEC 61643-11 Class III test: 1.2/50 μ s - 8/20 μ s	U_{oc} 10 kV / 5 kA
Withstand on overvoltages IEEE C62.41.1	10 kV / 10 kA
Protection mode(s)	Common/Differential mode
Protection level L/N @ In (8/20 μ s)	U_p L/N 1.5 kV
Protection level L/PE @ In (8/20 μ s)	U_p L/PE 1.5 kV
Admissible short-circuit current	I_{sc} 10 000 A
Mechanical Characteristics	
Technology	MOV+GDT
Connection to Network	By screw terminal: 1.5mm ² max.
Mounting	On plate
Housing material	Thermoplastic UL94 V-0
Operating temperature	T_u -40/+85°C
Protection rating	IP65
Failsafe mode	Disconnection and AC line cut-off
Disconnection indicator	LED green OFF and AC network cut-off
Voltage/operating indicator	Green Led ON
Remote signaling of disconnection	No
Dimensions	See diagram
Disconnectors	
Thermal disconnector	Internal
Installation ground fault breaker	Type 'S' or delayed
Standards	
Standards compliance	IEC 61643-11 / EN 61643-11 / UL1449 ed.5
Part number	731211