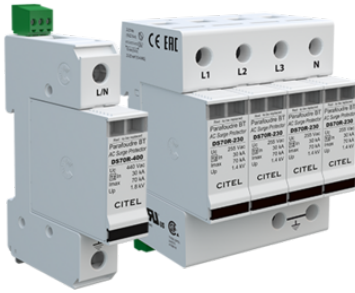




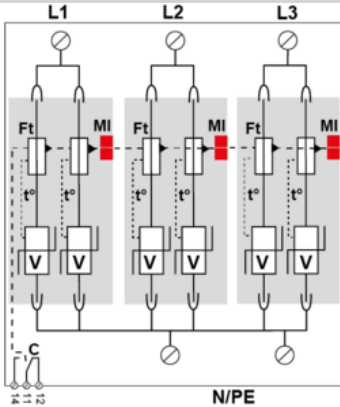
Type 2 AC surge protector - 3-phase

CITEL

DS73RS-600



- Re-inforced Type 2 AC Multipolar surge protector
- In: 30 kA
- I_{max} total: 210 kA
- Pluggable module by phase
- Remote signaling
- IEC 61643-11, EN 61643-11 compliance
- UL1449 ed.5 approved



V: High-energy varistor
 Ft: Thermal fuse
 C: Remote signal contact
 t*: Thermal disconnection system
 MI: Disconnection indicator

Electrical Characteristics	
SPD type	2
Network	480/690 V Triphasé+N (Delta)
AC system	TNC
Nominal line voltage	Un 480 Vac
Max. AC operating voltage	Uc 840 Vac
Temporary Over Voltage (TOV) Characteristics - 5 sec. Without disconnection	UT 700 Vac withstand
Temporary Over Voltage (TOV) Characteristics - 120 mn Without disconnection or with safety disconnection	UT 920 Vac disconnection
Follow current	If None
Nominal discharge current 15 x 8/20 μ s impulses	In 30 kA
Max. discharge current max. withstand @ 8/20 μ s by pole	I _{max} 70 kA
Total Maximum discharge current max. total withstand @ 8/20 μ s	I _{max} Total 210 kA
Connection mode(s)	L/PE
Protection mode(s)	Common mode
Protection level L/PE @ In (8/20 μ s)	Up L/PE 1.8 kV
Admissible short-circuit current	I _{sc} 25 000 A
Mechanical Characteristics	
Technology	MOV
SPD configuration	3-phase+Neutral
Connection to Network	By screw terminals: 2.5-25mm ² / by bus
Format	Plug-in modular box
Mounting	Symmetrical rail 35 mm (EN 60715)
Housing material	Thermoplastic UL94 V-0
Operating temperature	Tu -40/+85°C
Protection rating	IP20
Failsafe mode	Disconnection from AC network
Disconnection indicator	2 mechanical indicators by pole
Spare module(s)	DSM70R-600
Remote signaling of disconnection	Output on changeover contact
Dimensions	See diagram
Disconnectors	
Thermal disconnector	Internal
Installation ground fault breaker	Type 'S' or delayed
Back-up protection device	100 A min. - 125 A max. - Fuses type gG
Standards	
Standards compliance	IEC 61643-11 / EN 61643-11 / UL1449 ed.5
Certification	UL Recognized
Part number	
321523	

