



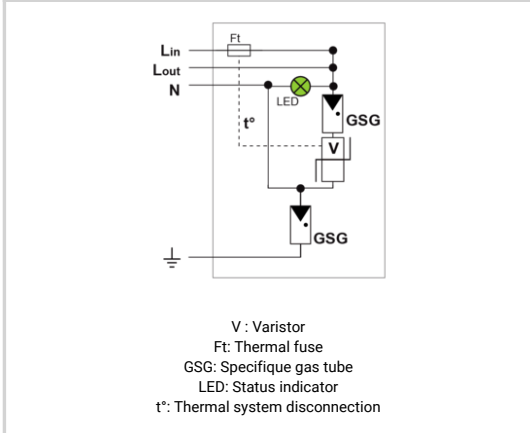
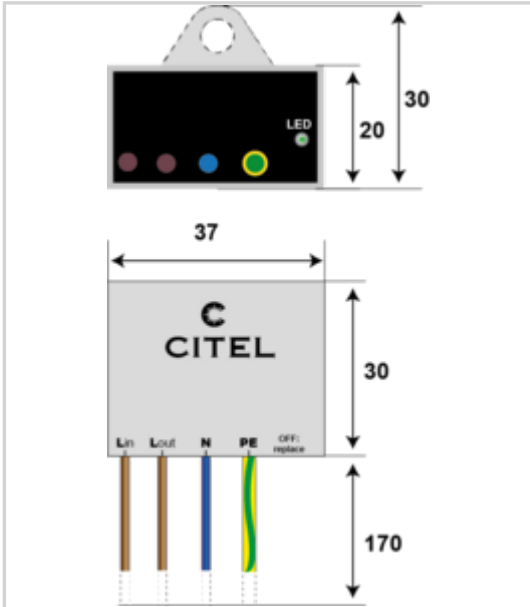
Ultra Compact Type 2+3 hard wired surge protector

CITEL

MLPX1VG-230L-W/IP20



- Ultra compact Type 2+3 hard wired surge protectors
- Wall mounting and hard wired connection
- VG Technology
- No aging
- Bracket breakable
- Disconnection signaling by indicator
- AC disconnection in case of end of life
- EN 61643-11, IEC 61643-11 and UL1449 4ed. compliance



Electrical Characteristics	
SPD type	2+3
Network	230-277 V Single-phase
AC system	TT-TN
Nominal line voltage	Un 230 V
Max. AC operating voltage	Uc 320 Vac
Max. load current @25°C	IL 10 A
Temporary Over Voltage (TOV) Characteristics - 5 sec. Without disconnection	UT 335 Vac withstand
Temporary Over Voltage (TOV) Characteristics - 120 mn Without disconnection or with safety disconnection	UT 440 Vac withstand
Temporary Over Voltage N/PE (TOV HT) Without disconnection or with safety disconnection	UT 1200 V/300A/200 ms disconnection
Residual Current Leakage current to Ground	Ipe None
Nominal discharge current 15 x 8/20 μs impulses	In 5 kA
Max. discharge current max. withstand @ 8/20 μs by pole	I _{max} 10 kA
Total Maximum discharge current max. total withstand @ 8/20 μs	I _{max} Total 20 kA
Withstand on Combination waveform IEC 61643-11 Class III test: 1.2/50μs - 8/20μs	Uoc 10 kV
Withstand on overvoltages IEEE C62.41.1	10 kV / 10 kA
Protection mode(s)	Common/Differential mode
Protection level L/N @ In (8/20μs)	Up L/N 1.5 kV
Protection level L/PE @ In (8/20μs)	Up L/PE 1.5 kV
Admissible short-circuit current	I _{scr} 10 000 A
Mechanical Characteristics	
Technology	MOV+GDT
Connection to Network	By wires: 1.5mm ² (L/N) and 2.5mm ² (PE)
Mounting	Wall or plate
Housing material	Thermoplastic UL94 V-0
Operating temperature	Tu -40/+85°C
Protection rating	IP20
Failsafe mode	Disconnection and AC line cut-off
Disconnection indicator	LED green OFF and AC network cut-off
Voltage/operating indicator	Green Led ON
Remote signaling of disconnection	No
Dimensions	See diagram
Weight	0.038 kg
Disconnectors	
Thermal disconnector	Internal
Installation ground fault breaker	Type 'S' or delayed
Standards	
Standards compliance	IEC 61643-11 / EN 61643-11 / UL1449 ed.5
Part number	711296

