



Compact Type 2 hard wired surge protector

CITEL

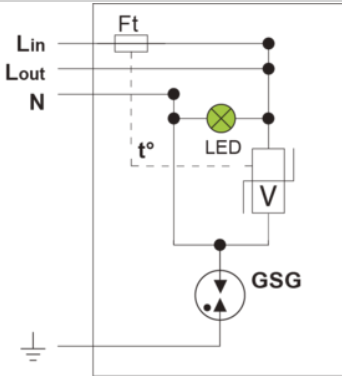
MLPCA1-230L



- Type 2 (or 3) Single phase surge protector
- Compact
- Wall mounting
- Status indicators
- IP65
- AC disconnection in case of end of life



	Electrical Characteristics	
	SPD type	2+3
Network	220-240 V Single-phase	
AC system	TT-TN	
Nominal line voltage	Un	230 V
Max. AC operating voltage	Uc	320 Vac
Max. load current @25°C	IL	10 A
Temporary Over Voltage (TOV) Characteristics - 5 sec. Without disconnection	UT	335 Vac withstand
Temporary Over Voltage (TOV) Characteristics - 120 mn Without disconnection or with safety disconnection	UT	440 Vac disconnection
Follow current	If	None
Nominal discharge current 15 x 8/20 μs impulses	In	5 kA
Max. discharge current max. withstand @ 8/20 μs by pole	Imax	10 kA
Total Maximum discharge current max. total withstand @ 8/20 μs	Imax Total	20 kA
Withstand on Combination waveform IEC 61643-11 Class III test: 1.2/50μs - 8/20μs	Uoc	10 kV
Withstand on overvoltages IEEE C62.41.1	10 kV / 10 kA	
Protection mode(s)	Common/Differential mode	
Protection level @ In (8/20μs)	Up	1.5 kV
Protection level L/N @ In (8/20μs)	Up L/N	1.5 kV
Protection level L/PE @ In (8/20μs)	Up L/PE	1.5 kV
Admissible short-circuit current	Iscrr	10 000 A
Mechanical Characteristics		
Technology	MOV+GDT	
Connection to Network	Cable with 4-wire of 1.5mm ²	
Mounting	Wall or plate	
Housing material	Thermoplastic UL94 V-0	
Operating temperature	Tu	-40/+85°C
Protection rating	IP65	
Failsafe mode	Disconnection and AC line cut-off	
Disconnection indicator	Green LED OFF and line cut off	
Voltage/operating indicator	Green Led ON	
Dimensions	See diagram	
Weight	0.142 kg	
Disconnectors		
Thermal disconnector	Internal	
Installation ground fault breaker	Type 'S' or delayed	
Standards		
Standards compliance	IEC 61643-11 / EN 61643-11 / UL1449 ed.5	
Part number	835261	



V: Varistor
 GSG: Specific gas tube
 LED: Disconnection indicator
 Ft: Thermal fuse
 t*: Thermal system disconnection

