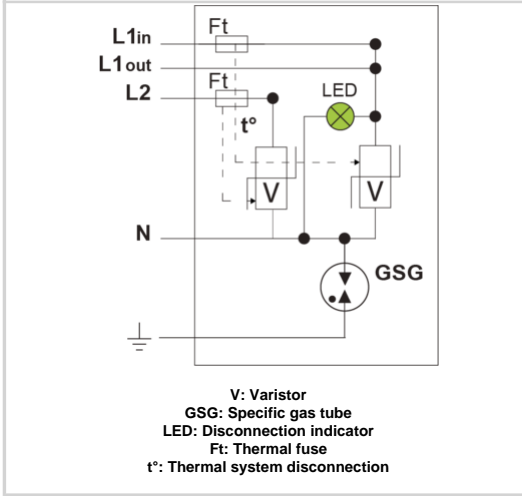
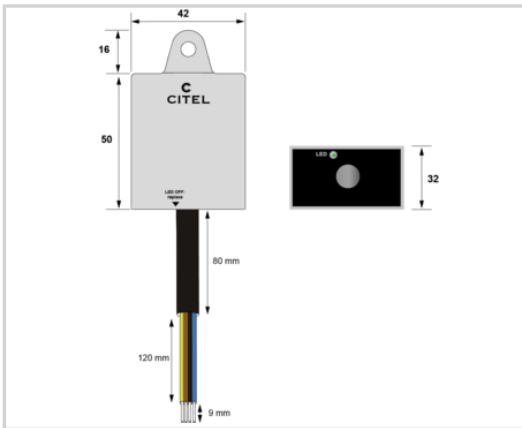


MLPCA1-230L-2L



- Type 2 (or 3) 2 phase + N surge protector
- Compact
- Wall mounting
- Status indicators
- IP65
- AC disconnection in case of end of life



Electrical Characteristics	
SPD type (following IEC tests)	3
Network	220-240V 2-phase + N
AC system	TT-TN
Max. AC operating voltage	Uc 320 Vac
Max. load current	IL 10 A
Temporary Over Voltage (TOV) Characteristics - 5 sec. (Without disconnection)	UT 335 Vac withstand
Temporary Over Voltage (TOV) Characteristics - 120 mn (Without disconnection or with safety disconnection)	UT 440 Vac disconnection
Follow current	If None
Nominal discharge current (15 x 8/20 µs impulses)	In 5 kA
Max. discharge current (max. withstand @ 8/20 µs by pole)	Imax 10 kA
Total Maximum discharge current (max. total withstand @ 8/20 µs)	Imax Total 30 kA
Withstand on Combination waveform IEC 61643-11 (Class III test: 1.2/50µs - 8/20µs)	Uoc 10 kV
Withstand on overvoltages IEEE C62.41.1	10 kV / 10 kA
Protection mode(s)	Common/Differential mode
Protection level (@ In (8/20µs))	Up 1.5 kV
Protection level L/N (@ In (8/20µs))	Up L/N 1.5 kV
Protection level L/PE (@ In (8/20µs))	Up L/PE 1.5 kV
Admissible short-circuit current	Iscrc 10 000 A
Mechanical Characteristics	
Technology	MOV
Connection to Network	Cable with 5-wire of 1.5mm ²
Mounting	Wall or plate
Housing material	Thermoplastic UL94 V-0
Operating temperature	Tu -40/+85°C
Protection rating	IP65
Failsafe mode	Disconnection and AC line cut-off
Disconnection indicator	Green Led OFF and line cut off
Voltage/operating indicator	Green Led ON
Dimensions	See diagram
Weight	0.152 kg
Disconnectors	
Thermal disconnector	Internal
Installation ground fault breaker	Type 'S' or delayed
Standards	
Standards compliance	IEC 61643-11 / EN 61643-11 / UL1449 ed.4
Certification	UL / EAC / TÜV
Part number	
835265	