



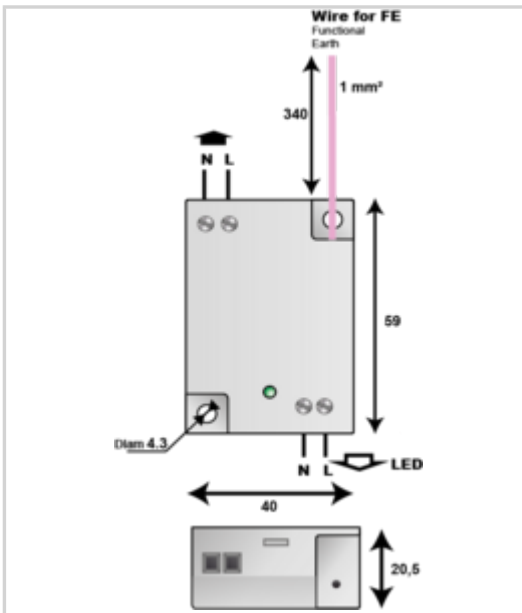
CITEL

Surge and Electrostatic protector for Class II LED lighting system

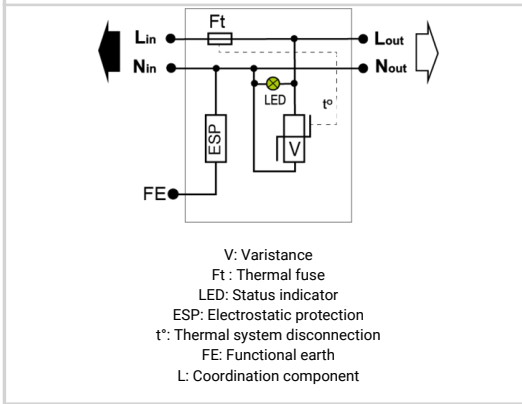
MLPC2-230L-V/ESP2



- Type 2 (or 3) Surge & Electrostatic protectors
- For Class II Led lighting
- Improved coordination with internal MOV
- Electrostatic protection included
- Comply class II safety rules
- Very compact
- Plate mounting
- Screw terminal connection
- Status indicator
- End of life AC Disconnection
- IEC 61643-11 and EN 61643-11 compliance



Electrical Characteristics	
SPD type	2+3
Network	220-240 V Single-phase
AC system	TT-TN
Max. AC operating voltage	Uc 320 Vac
Max. load current @25°C	IL 5 A
Temporary Over Voltage (TOV) Characteristics - 5 sec. Without disconnection	UT 335 Vac withstand
Temporary Over Voltage (TOV) Characteristics - 120 mn Without disconnection or with safety disconnection	UT 440 Vac disconnection
Residual Current Leakage current to Ground	Ipe None
Nominal discharge current 15 x 8/20 µs impulses	In 5 kA
Max. discharge current max. withstand @ 8/20 µs by pole	I _{max} 10 kA
Total Maximum discharge current max. total withstand @ 8/20 µs	I _{max} Total 20 kA
Withstand on Combination waveform IEC 61643-11 Class III test: 1.2/50µs - 8/20µs	Uoc 10 kV
Withstand on overvoltages IEEE C62.41.1	10 kV / 10 kA
Protection level @ In (8/20µs)	Up 1.5 kV
Admissible short-circuit current	I _{sc} 10 000 A
Electrostatic protection level	U _{esp} > 0.5 kV
Electrostatic protection mode	N/Functional Earth



V: Varistance
 Ft: Thermal fuse
 LED: Status indicator
 ESP: Electrostatic protection
 t*: Thermal system disconnection
 FE: Functional earth
 L: Coordination component

Mechanical Characteristics	
Connection to Network	2 screw terminals opposite side in/out - wire 2.5mm ² max.
Mounting	On plate
Housing material	Thermoplastic UL94 V-0
Operating temperature	Tu -40/+85°C
Protection rating	IP20
Failsafe mode	Disconnection and AC line cut-off
Disconnection indicator	LED green OFF and AC network cut-off
Voltage/operating indicator	Green Led ON
Dimensions	See diagram
Weight	0.042 kg

Disconnectors	
Thermal disconnector	Internal
Installation ground fault breaker	Type 'S' or delayed

Standards	
Standards compliance	EN 61643-11 / IEC 61643-11

Certification	
Part number	832227

832227

