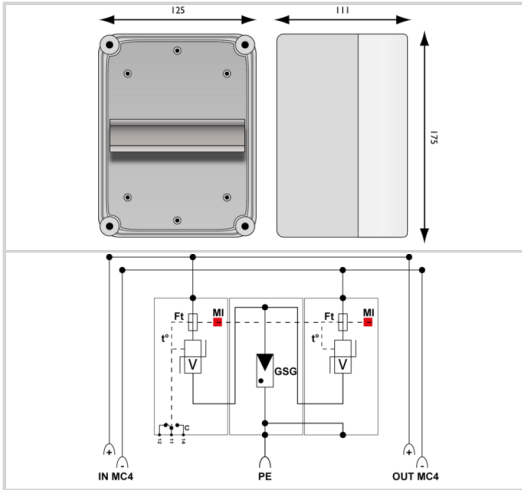




- Junction box for 1 MPP-Tracker / 1 String
- Surge protection integrated
- Protection rating IP65
- Connection cables pre-assembled with MC4 connectors



Electrical Characteristics	
SPD type	2
Network	PV network 1000 Vdc
Nominal DC voltage	Un-dc 1000 Vdc
Max. PV operating voltage	Ucpv 1200 Vdc
Rated insulation voltage <i>Ui</i>	Ui 1000 Vdc
Rated current <i>InA</i>	InA 20 A
Rated string current	InC 20 A
Mechanical Characteristics	
Housing material	UV and ozone resistant, glass fibre reinforced polycarbonate
Dimensions	See diagram
Weight	1.4 kg
Input / per MPPT	MC4 plug 1x 6mm <sup>2</sup> with 15cm connection cable
Output / per MPPT	MC4-Stecker 1x 6mm <sup>2</sup> mit 120cm Anschlussleitung
Ground connection terminal	Screw terminal 2.5-25mm <sup>2</sup> (35mm <sup>2</sup> )
Cable gland	Metric / 1x M24 (Ø 6-12mm) PE
Housing material	UV and ozone resistant, fiberglass reinforced polycarbonate with semi-transparent cover
Dimensions	WxHxD (mm): 125 x 175 x 111
Ambient temperatures	Indoor: -5°C to max. +40°C (+35°C 24h average) / Outdoor: -25°C to max. +40°C (+35°C 24h average)
Humidity	Indoor: max. 50% at +40°C, max. 90% at 20°C (non-condensing) / Outdoor: 95% for a short time at +25°C (non-condensing)
Protection rating	IP 65
Protection class	Class II
Impact resistance	IK 8
Pressure compensation element	Existing
Standards	
Standards compliance	DIN EN 50539-11 / DIN EN IEC 61439-2
Part number	
158554	

