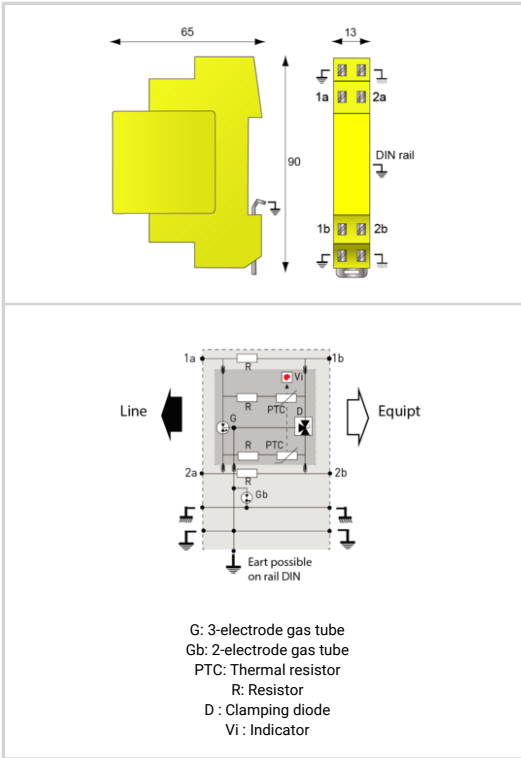




- 1-pair Pluggable SPD for dataline
- Visual indicator in failsafe behaviour
- Without line cut-off
- Line voltage 24 Vdc
- Din rail mounting, spring contact
- IEC/EN 61643-21 and UL497A compliance



Electrical Characteristics	
Network	24 V single-phase
Max. DC operating voltage	Uc 28 Vdc
Max. frequency	f max. > 3 MHz
Max. load current @25°C	IL 300 mA
Max. discharge current max. withstand @ 8/20 µs by pole	I _{max} 20 kA
Line inductance	No
Protection level @ I _n (8/20 µs)	Up L/L 40 V
Impulse current 2 x 10/350µs Test - D1 Category	I _{imp} 5 kA
Line/Line Nominal discharge current C2 Category	I _n L/L 5 kA
Nominal Discharge Current, X-C (Line/Earth) 8/20µs Test x 10 - C2 Category	I _n L/PE 5 kA
Line resistance	< 4.7 Ohm
ELEC	
Nominal line voltage	U _n 24 V
Mechanical Characteristics	
Technology	GDT+Clamping diode+PTC (thermal resistor) + Resistor
SPD configuration	1-pair+shielded
Connection to Network	By spring contact terminal: 0.5-4 mm ²
Format	Plug-in DIN box
Mounting	Symmetrical rail 35 mm (EN 60715)
Housing material	Thermoplastic UL94 V-0
Operating temperature	T _u -40/+85°C
Protection rating	IP20
Failsafe mode	Opening line - transmission cut-off - fault mode 2
Disconnection indicator	Visual indicator is red
Spare module(s)	DLAS1M-24D3
Dimensions	See diagram
Standards	
Standards compliance	IEC 61643-21 / EN 61643-21 / UL497A
Certification	SIL
Part number	
6415034	

