



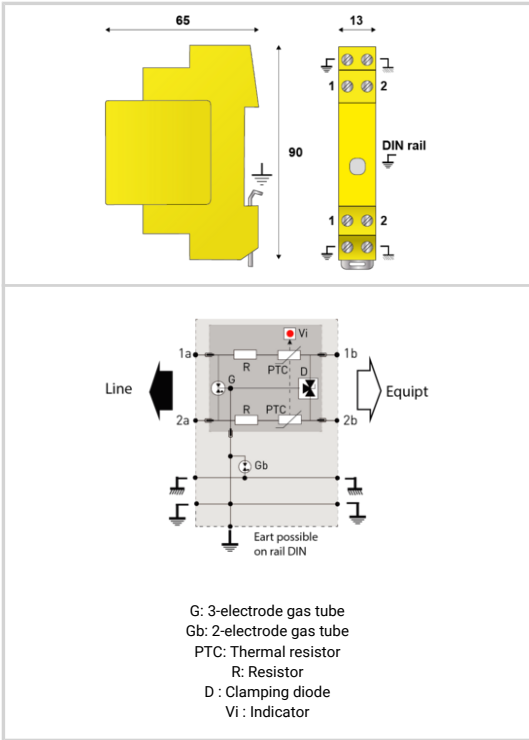
CITEL

1-pair DIN rail plug-in Data surge protector

DLAWS1-24D3



- 1-pair Surge protection
- Pluggable protection module
- Optical fault indication
- Indirect shield connection
- Visual indicator in failsafe behaviour
- Indirect earthing
- Current circuit disconnection when module is unplugged
- Conforms to IEC 61643-21, VDE 0845-3-1 and UL497B



Electrical Characteristics	
Network	4-20 mA
Max. DC operating voltage	Uc 28 Vdc
Max. frequency	f max. > 3 MHz
Insertion loss	< 1 dB
Max. discharge current <i>max. withstand @ 8/20 μs by pole</i>	I _{max} 20 kA
Line inductance	No
Protection mode(s)	Common/Differential mode
Protection level <i>Following the test category C3 (IEC61643-21) - Line/Line</i>	U _p 40 V
Impulse current <i>2 x 10/350μs Test - D1 Category</i>	I _{imp} 5 kA
Nominal discharge current <i>C2 Category</i>	I _n 5 kA
Line/Line Nominal discharge current <i>C2 Category</i>	I _n L/L 5 kA
Nominal Discharge Current, X-C (Line/Earth) <i>8/20μs Test x 10 - C2 Category</i>	I _n L/PE 5 kA
Line resistance	< 4.7 Ohm
ELEC	
Nominal line voltage	U _n 24 V
Mechanical Characteristics	
Disconnection	Specific version with line cut-off in case of removal plug-in module
Technology	GDT+Clamping diode+PTC (thermal resistor) + Resistor
SPD configuration	1-pair+shielded
Connection to Network	By screw terminal: cross section 0.5-2.5mm ²
Format	Plug-in DIN box
Mounting	Symmetrical rail 35 mm (EN 60715)
Housing material	Thermoplastic UL94 V-0
Operating temperature	T _u -40/+85°C
Protection rating	IP20
Failsafe mode	Opening line - transmission cut-off - fault mode 2
With line cut-off in case of removal plug-in module	Yes
Disconnection indicator	Red light on
Spare module(s)	DLAWS1M-24D3
Dimensions	See diagram
Standards	
Standards compliance	IEC 61643-21 / EN 61643-21 / UL497A
Certification	UL Listed
Part number	
6419031	

