



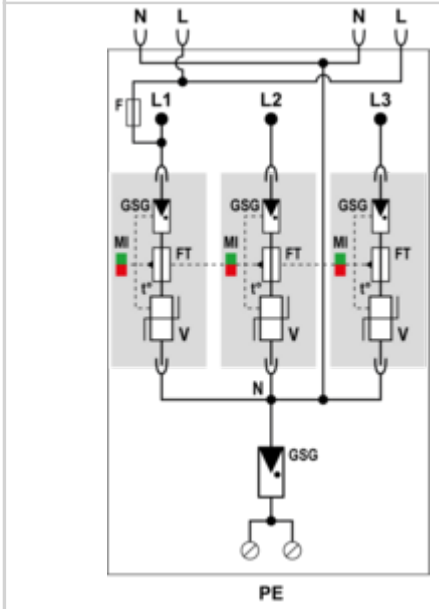
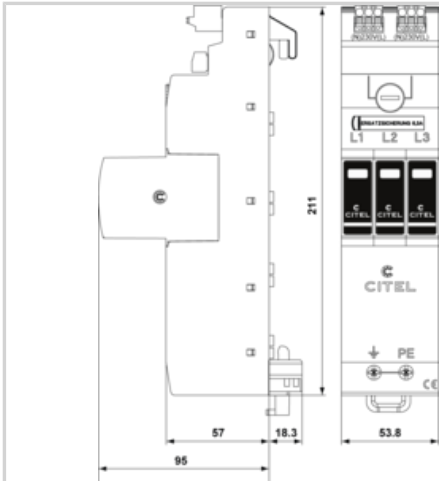
Type 1+2+3 AC surge protector - 3-phase+N

CITEL

ZPAC1-8VG-PRO-U



- Type 1+2+3 AC Surge protection
- VG Technology
- For 40 mm busbar systems
- Iimp 8 kA (10/350 μs)
- Reduces energy costs: Does not produce flow current and leakage current
- Certified IEC 61643-11 and EN 61643-11



Electrical Characteristics

SPD type	1+2+3	
Network	230/400 V 3-phase+N	
AC system	TT-TNS	
Nominal line voltage	Un	230/400 Vac
Max. AC operating voltage	Uc	275 Vac
Temporary Over Voltage (TOV) Characteristics - 5 sec. Without disconnection	UT	335 Vac withstand
Temporary Over Voltage (TOV) Characteristics - 120 mn Without disconnection or with safety disconnection	UT	440 Vac withstand
Temporary Over Voltage N/PE (TOV HT) Without disconnection or with safety disconnection	UT	1200 V/300A/200 ms withstand
Residual Current	Ipe	None
Leakage current to Ground		
Follow current	If	None
Nominal discharge current 15 x 8/20 μs impulses	In	20 kA
Max. discharge current max. withstand @ 8/20 μs by pole	Imax	50 kA
Impulse current by pole max. withstand 10/350μs by pole	Iimp	8 kA
Total lightning current max. total withstand @ 10/350μs	Itotal	32 kA
Withstand on Combination waveform IEC 61643-11 Class III test: 1.2/50μs - 8/20μs	Uoc	6 kV
Withstand on overvoltages IEEE C62.41.1		20 kV
Specific energy by pole max. withstand 10/350 μs	W/R	16 kJ/ohm
Connection mode(s)	L/N and N/PE	
Protection mode(s)	Common/Differential mode	
Protection level L/N @ In (8/20μs)	Up L/N	1.5 kV
Protection level L/PE @ In (8/20μs)	Up L/PE	1.5 kV
Residual voltage L/N at 5 kA @ 5 kA (8/20μs)	Up-5kA	0.7 kV
Admissible short-circuit current	Iscsr	50 000 A

Mechanical Characteristics

Technology	VG Technology (MOV+GSG)	
SPD configuration	3-phase+Neutral	
Connection to Network	By 40mm busbar and wire for PE: 6-35mm² (50mm²)	
Format	Plug-in modular box	
Mounting	40 mm busbar systems	
Housing material	Thermoplastic UL94 V-0	
Operating temperature	Tu	-40/+85°C
Protection rating	IP20	
Failsafe mode	Disconnection from AC network	
Disconnection indicator	1 mechanical indicator by pole	
Spare module(s)	ZMDAC1-8VG-PRO-275	
Remote signaling of disconnection	none	
Dimensions	See diagram	
Weight	0.677 kg	

Disconnectors

Thermal disconnector	Internal	
Installation ground fault breaker	Type 'S' or delayed	
Back-up protection device	max. 315 A (gL/gG)	

Standards

Standards compliance	IEC 61643-11 / EN 61643-11 / UL1449 4ed.	
Certification	KEMA	

ZPAC1-8VG-PRO-U

Part number

64079