



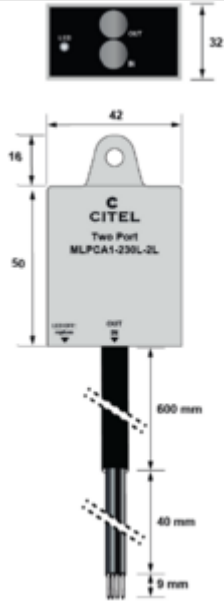
Compact Type 2 hard wired surge protector

CITEL

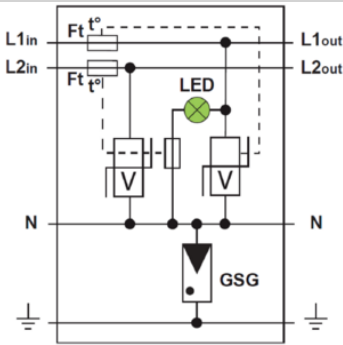
2-port MLPCA1-230L-2L



- ↳ Compact type 2+3 surge protection
- ↳ For equipment of protection class I
- ↳ Simple installation due to two-port design
- ↳ Fully encapsulated housing with rubber tubing (IP65)
- ↳ Status signalling
- ↳ Device defect disconnection from the mains and current circuit disconnection
- ↳ Complies with IEC 61643-11 and EN 61643-11 standards
- ↳ Particularly suitable for end circuits: e.g. LED lighting with additional protection of a control phase



Electrical Characteristics	
SPD type	2+3
Network	220-240V 2-phase + N
AC system	TT-TN
Nominal line voltage	Un 230 V
Max. AC operating voltage	Uc 320 Vac
Max. load current @25°C	IL 10 A
Temporary Over Voltage (TOV) Characteristics - 5 sec. Without disconnection	UT 335 Vac withstand
Temporary Over Voltage (TOV) Characteristics - 120 mn Without disconnection or with safety disconnection	UT 440 Vac disconnection
Follow current	If None
Nominal discharge current 15 x 8/20 µs impulses	In 5 kA
Max. discharge current max. withstand @ 8/20 µs by pole	Imax 10 kA
Total Maximum discharge current max. total withstand @ 8/20 µs	Imax Total 30 kA
Withstand on Combination waveform IEC 61643-11 Class III test: 1.2/50µs - 8/20µs	Uoc 10 kV
Withstand on overvoltages IEEE C62.41.1	10 kV / 10 kA
Protection mode(s)	Common/Differential mode
Protection level @ In (8/20µs)	Up 1.5 kV
Protection level L/N @ In (8/20µs)	Up L/N 1.5 kV
Protection level L/PE @ In (8/20µs)	Up L/PE 1.5 kV
Admissible short-circuit current	Iscrc 10 000 A
Mechanical Characteristics	
Technology	MOV+GDT
Connection to Network	4-wire rubber hose line 1.5mm² (in/out)
Mounting	Wall or plate
Housing material	Thermoplastic UL94 V-0
Operating temperature	Tu -40/+85°C
Protection rating	IP65
Failsafe mode	Disconnection and AC line cut-off
Disconnection indicator	LED green OFF and AC network cut-off
Voltage/operating indicator	Green Led ON
Dimensions	See diagram
Weight	0.152 kg
Disconnectors	
Thermal disconnector	Internal
Installation ground fault breaker	Type 'S' or delayed
Standards	
Standards compliance	IEC 61643-11 / EN 61643-11 / UL1449 ed.5
Certification	CE / UKCA
Part number	835285



V: Varistor
 GSG: Specific gas tube
 LED: Disconnection indicator
 Ft: Thermal fuse
 t*: Thermal system disconnection

