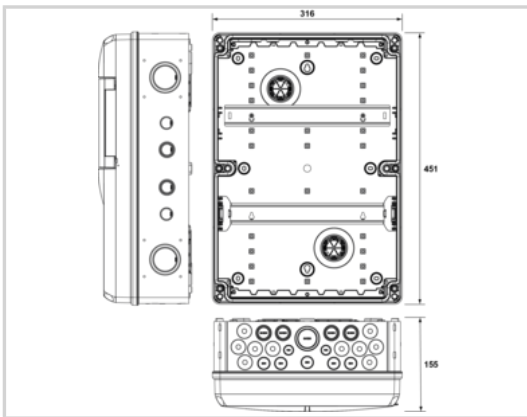




- Universal small housing for individual cable entry with consideration of practical cross-sections
- Internal terminal design allows spur or V-wiring (series)
- Suitable for TNS-TT mains types
- Integrated DACN1-25CVGS-31-275/SC
- Type 1+2+3 combined arrester based on a gas-filled spark gap
- With integrated Surge Counter
- Discharge capacity per pole:  $I_{imp}=25kA (10/350\mu s)$ ;  $I_n=25kA (8/20\mu s)$ ;  $I_{max}=100kA (8/20\mu s)$
- Remote signalling as standard
- Can be used for lightning protection classes I to IV



Electrical Characteristics		
SPD type		1+2+3
Nominal line voltage	Un	230/400 Vac
Max. AC operating voltage	Uc	275 Vac
Max. load current <i>if series connection</i>	IL	bis 119 A (Verlegeart beachten)
Surge protection device		DACN1-25CVGS-31-275/SC (internally pre-wired)
Nominal frequency	fn	0-100 Hz
Mechanical Characteristics		
Housing material		Thermoplastic UL94 V-0
Protection rating		IP65
Dimensions		See diagram - 3 TE (EN43880)
Entrance		Screw terminals max. 35mm <sup>2</sup> (rm)
Outgoing		Screw terminals max. 35mm <sup>2</sup> (rm)
Earth connection terminal		Screw terminal max. 35mm <sup>2</sup> (rm)
Ambient temperature		-25°C bis +40°C / 24h up to max. 35°C
Cable gland		Double diaphragm connector Cable glands M20 / M25 / M32 / M40 / M50 / M63
Humidity		Relative humidity (25°C) 5% to 95% / Max. relative air humidity (40°C) 50%.
Shock resistance		IK 08
Standards		
Standards compliance		IEC 61643-11
Part number		
159149		

