



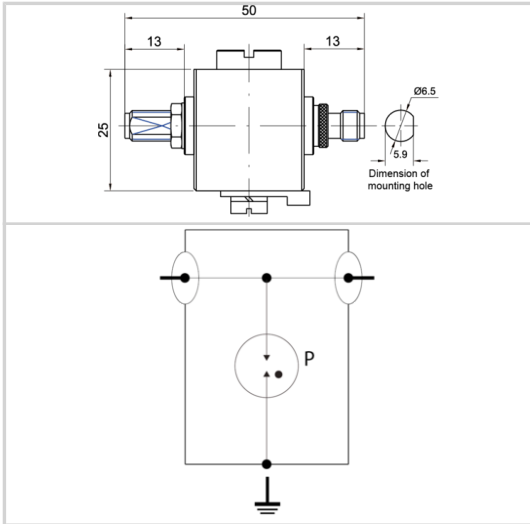
Coaxial surge protector DC-7 GHz

CITEL

P8AX25-6G-SMA/FF



- RF coaxial surge protector
- DC-7 GHz
- 190 W
- Connectors: SMA
- Low insertion loss
- Removable GDT
- DC-pass
- Bi-directional protection



Electrical Characteristics		
Max. DC operating voltage	Uc	200 Vdc
Frequency range	f	DC-7 GHz
Insertion loss		< 0.3dB
Return loss		> 18 dB
Impedance		50 ohms
VSWR		<1.3:1
Max. load current @25°C	IL	10 A
Max. discharge current max. withstand @ 8/20 µs by pole	I _{max}	15 kA
Protection mode(s)		Common mode
Protection level @ I _n (8/20µs)	U _p	< 2300 V
Impulse current 2 x 10/350µs Test - D1 Category	I _{imp}	1 kA
Nominal discharge current C2 Category	I _n	5 kA
Max Power		190 W
Typical let through energy (50 ohms) input 4kV 1.2/50µs - 2kA 8/20µs		2.2 mJ
DC Pass		Yes
Insulation resistance	IR	≥10 GOhms
Mechanical Characteristics		
Technology		Gas discharge tube
Connection to Network		Connector SMA Female/Female
Mounting		Feedthrough
Housing material		Brass/Surface plating: Cu Zn Sn
Operating temperature	T _u	-40/+85°C
Protection rating		IP65
Failsafe mode		Short-circuit
Disconnection indicator		Transmission interrupt
Spare module(s)		1 x BA HF
Dimensions		See diagram
Contacts		Bronze/Surface Au-Ag
Standards		
Standards compliance		IEC 61643-21 / EN 61643-21 / UL497E
RoHS compliance		Yes
Part number		
68514		

