



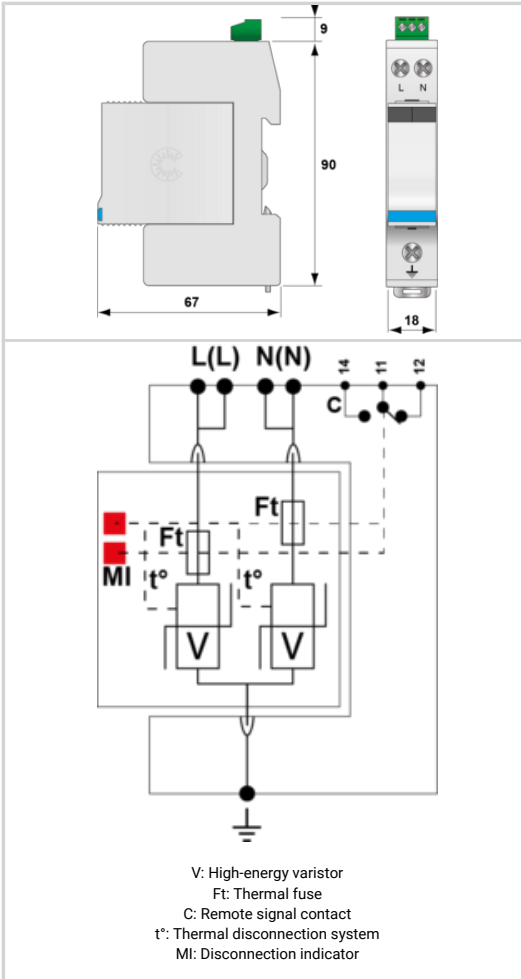
Compact 1-phase Type 2 (or 3) surge protector - 120 V -Pluggable

CITEL

DS215S-120



- ↳ Discover our latest innovation : the [DAC15CS-20-150](#)
- ↳ Compact single-phase type 2 (or 3) surge protector
- ↳ In : 5 kA
- ↳ I_{max} : 15 kA
- ↳ Common mode
- ↳ Pluggable module
- ↳ Remote signaling
- ↳ EN 61643-11, IEC 61643-11 compliance
- ↳ UL1449 ed.5



Electrical Characteristics		
SPD type		2 (or 3)
Network		120 V single-phase
AC system		TN
Nominal line voltage	U _n	120 Vac
Max. AC operating voltage	U _c	150 Vac
Max. load current if series connection	I _L	20 A
Temporary Over Voltage (TOV) Characteristics - 5 sec. Without disconnection	UT	180 Vac withstand
Temporary Over Voltage (TOV) Characteristics - 120 mn Without disconnection or with safety disconnection	UT	230 Vac disconnection
Residual Current Leakage current to Ground	I _{pe}	< 0.5 mA
Follow current	I _f	None
Nominal discharge current 15 x 8/20 μs impulses	I _n	5 kA
Max. discharge current max. withstand @ 8/20 μs by pole	I _{max}	15 kA
Withstand on Combination waveform IEC 61643-11 Class III test: 1.2/50μs - 8/20μs	U _{oc}	10 kV
Withstand on overvoltages IEEE C62.41.1		10 kV
Connection mode(s)		L/PE and N/PE
Protection mode(s)		Common mode
Residual voltage at 5 kA @ 5 kA (8/20μs)	U _{p-5kA}	0.6 kV
Protection level CM/DM @ I _n (8/20μs)	U _{p mc /md}	0.6 kV
Admissible short-circuit current	I _{sc cr}	10 000 A
Mechanical Characteristics		
Technology		MOV
SPD configuration		Single phase
Connection to Network		By screw terminals: 1.5-10mm ² (L/N) or 2.5-25mm ² (PE)
Format		Plug-in modular box
Mounting		Symmetrical rail 35 mm (EN 60715)
Housing material		Thermoplastic UL94 V-0
Operating temperature	T _u	-40/+85°C
Protection rating		IP20
Failsafe mode		Disconnection from AC network
Disconnection indicator		2 mechanical indicators
Spare module(s)		DSM215-120
Remote signaling of disconnection		Output on changeover contact
Dimensions		See diagram
Weight		0.094 kg
Disconnectors		
Thermal disconnector		Internal
Installation ground fault breaker		Type 'S' or delayed
Back-up protection device		Fuses type gG - 20A
Standards		
Standards compliance		IEC 61643-11 / EN 61643-11 / UL1449 ed.5
Certification		UL / CSA
Part number		
451611		

