



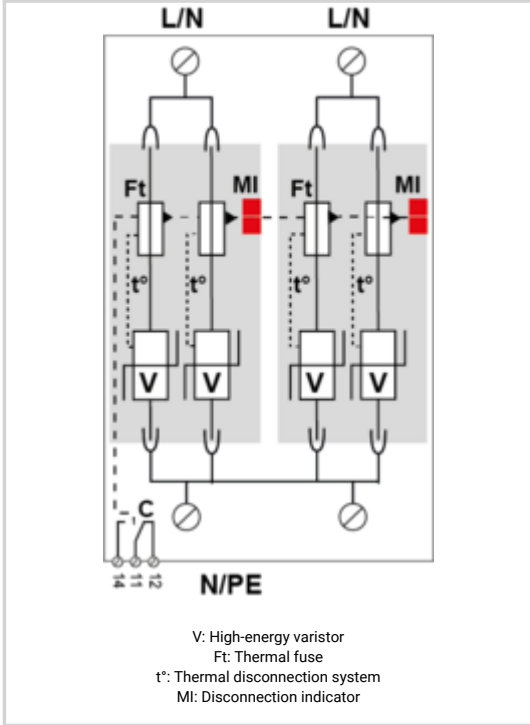
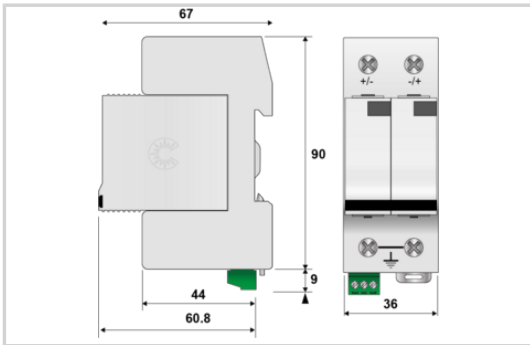
# 1-Pole 48 Vdc surge protector

# CITEL

## DS72RS-48DC



- ↳ 2-poles surge protector 48 Vdc
- ↳ Type 1 et Type 2
- ↳ In 30 kA / I<sub>max</sub> 70 kA
- ↳ Remote signaling
- ↳ I<sub>imp</sub> 7 kA
- ↳ Pluggable Module
- ↳ IEC 61643-11 and EN61643-11 compliance
- ↳ UL1449 ed.5



Electrical Characteristics	
SPD type	1+2
Network	48 Vdc
Nominal line voltage	Un 48 Vdc
Nominal DC voltage	Un-dc 48 Vdc
Max. DC operating voltage	Uc 65 Vdc
Follow current	If None
Nominal discharge current <i>15 x 8/20 μs impulses</i>	In 30 kA
Max. discharge current <i>max. withstand @ 8/20 μs by pole</i>	I <sub>max</sub> 70 kA
Total Maximum discharge current <i>max. total withstand @ 8/20 μs</i>	I <sub>max</sub> Total 140 kA
Impulse current by pole <i>max. withstand 10/350μs by pole</i>	I <sub>imp</sub> 7 kA
Total lightning current <i>max. total withstand @ 10/350μs</i>	I <sub>total</sub> 14 kA
Connection mode(s)	+/-PE and -/PE
Protection mode(s)	Common mode
Protection level +/-PE (-/PE) <i>@ In (8/20μs)</i>	Up 300 V
Mechanical Characteristics	
Technology	MOV
SPD configuration	2-poles
Connection to Network	By screw terminals: 4-25mm <sup>2</sup>
Format	Plug-in modular box
Mounting	Symmetrical rail 35 mm (EN 60715)
Housing material	Thermoplastic UL94 V-0
Operating temperature	Tu -40/+85°C
Protection rating	IP20
Failsafe mode	Disconnection from DC network
Disconnection indicator	1 mechanical indicator by pole
Spare module(s)	DSM70R-48DC
Remote signaling of disconnection	Output on changeover contact
Dimensions	See diagram
Disconnectors	
Thermal disconnector	Internal
Back-up protection device	100 A min. - 125 A max. - Fuses type gG
Standards	
Standards compliance	IEC 61643-11 / EN 61643-11 / UL1449 ed.5
Part number	
492121	

