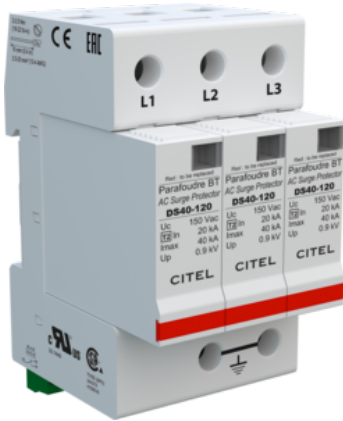




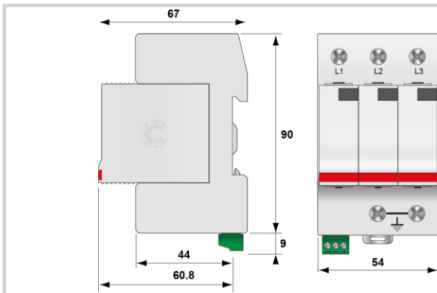
Type 2 AC surge protector - 3-phase

CITEL

DS43S-120



- Discover our latest innovation : the [DAC50S-30-150](#)
- Type 2 AC Multipolar surge protector
- In : 20 kA
- Imax total : 120 kA
- Pluggable module for each phase
- Remote signaling
- NF EN 61643-11, IEC 61643-11 compliance
- UL1449 ed.5



Electrical Characteristics

SPD type	2
Network	120/208 V 3-phase
AC system	TNC
Nominal line voltage	Un 120 Vac
Max. AC operating voltage	Uc 150 Vac
Temporary Over Voltage (TOV) Characteristics - 5 sec. Without disconnection	UT 180 Vac withstand
Temporary Over Voltage (TOV) Characteristics - 120 mn Without disconnection or with safety disconnection	UT 230 Vac disconnection
Residual Current Leakage current to Ground	Ipe < 1.5 mA
Follow current	If None
Nominal discharge current 15 x 8/20 μs impulses	In 20 kA
Max. discharge current max. withstand @ 8/20 μs by pole	Imax 40 kA
Total Maximum discharge current max. total withstand @ 8/20 μs	Imax Total 120 kA
Connection mode(s)	L/PE
Protection mode(s)	Common mode
Residual voltage at 5 kA @ 5 kA (8/20μs)	Up-5kA 0.6 kV
Protection level L/PE @ In (8/20μs)	Up L/PE 1.2 kV
Admissible short-circuit current	Iscrr 25 000 A

Mechanical Characteristics

Technology	MOV
SPD configuration	3-phase
Connection to Network	By screw terminals: 2.5-25mm ² / by bus
Format	Plug-in modular box
Mounting	Symmetrical rail 35 mm (EN 60715)
Housing material	Thermoplastic UL94 V-0
Operating temperature	Tu -40/+85°C
Protection rating	IP20
Failsafe mode	Disconnection from AC network
Disconnection indicator	1 mechanical indicator by pole
Spare module(s)	DSM40-120
Remote signaling of disconnection	Output on changeover contact
Dimensions	See diagram
Weight	0.255 kg

Disconnectors

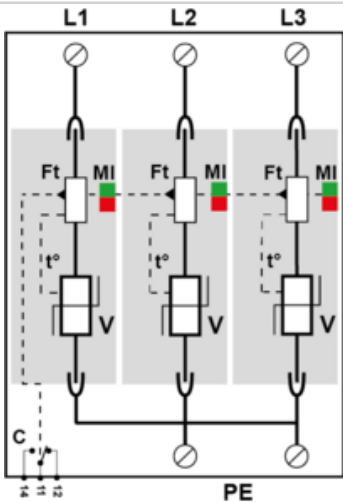
Thermal disconnector	Internal
Installation ground fault breaker	Type 'S' or delayed
Back-up protection device	Fuses type gG - 50 A

Standards

Standards compliance	IEC 61643-11 / EN 61643-11 / UL1449 ed.5
Certification	CSA / UL Listed

Part number

461623



V: High-energy varistor
Ft: Thermal fuse
C: Remote signal contact
t*: Thermal disconnection system
MI: Disconnection indicator

