



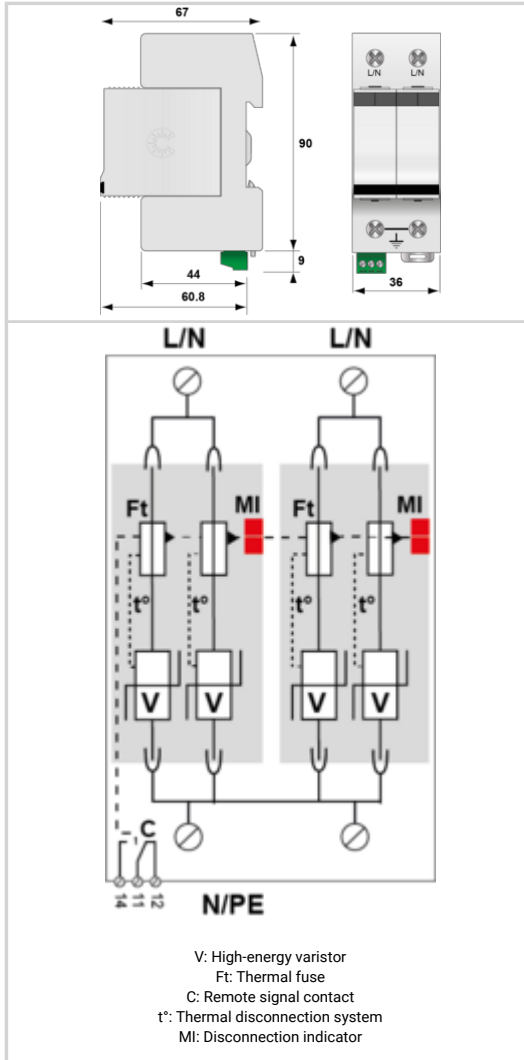
Type 2 AC surge protector - Single-phase

CITEL

DS72RS-230



- Re-inforced Type 2 AC Multipolar surge protector
- In: 30 kA
- I_{max} total: 140 kA
- Pluggable module by phase
- Remote signaling
- IEC 61643-11, EN 61643-11 compliance
- UL1449 ed.3 approved



Electrical Characteristics	
SPD type	2
Network	230 V single-phase
AC system	TN
Nominal line voltage	Un 230 Vac
Max. AC operating voltage	Uc 255 Vac
Temporary Over Voltage (TOV) Characteristics - 5 sec. Without disconnection	UT 335 Vac withstand
Temporary Over Voltage (TOV) Characteristics - 120 mn Without disconnection or with safety disconnection	UT 440 Vac disconnection
Residual Current Leakage current to Ground	I _{pe} < 2 mA
Follow current	I _f None
Nominal discharge current 15 x 8/20 μs impulses	I _n 30 kA
Max. discharge current max. withstand @ 8/20 μs by pole	I _{max} 70 kA
Total Maximum discharge current max. total withstand @ 8/20 μs	I _{max} Total 140 kA
Connection mode(s)	L/PE and N/PE
Protection mode(s)	Common mode/Differential mode
Residual voltage at 5 kA @ 5 kA (8/20 μs)	U _{p-5kA} 0.9 kV
Protection level N/PE @ I _n (8/20 μs)	U _{p N/PE} 1.4 kV
Admissible short-circuit current	I _{sc cr} 25 000 A
Mechanical Characteristics	
Technology	MOV
SPD configuration	Single phase
Connection to Network	By screw terminals: 2.5-2.5mm ² / by bus
Format	Plug-in modular box
Mounting	Symmetrical rail 35 mm (EN 60715)
Housing material	Thermoplastic UL94 V-0
Operating temperature	T _u -40/+85°C
Protection rating	IP20
Failsafe mode	Disconnection from AC network
Disconnection indicator	2 mechanical indicators by pole
Spare module(s)	DSM70R-230
Remote signaling of disconnection	Output on changeover contact
Dimensions	See diagram
Weight	0.212 kg
Disconnectors	
Thermal disconnector	Internal
Installation ground fault breaker	Type 'S' or delayed
Back-up protection device	100 A min. - 125 A max. - Fuses type gG
Standards	
Standards compliance	IEC 61643-11 / EN 61643-11 / UL1449 ed.5
Certification	UL Recognized
Part number	
491521	

