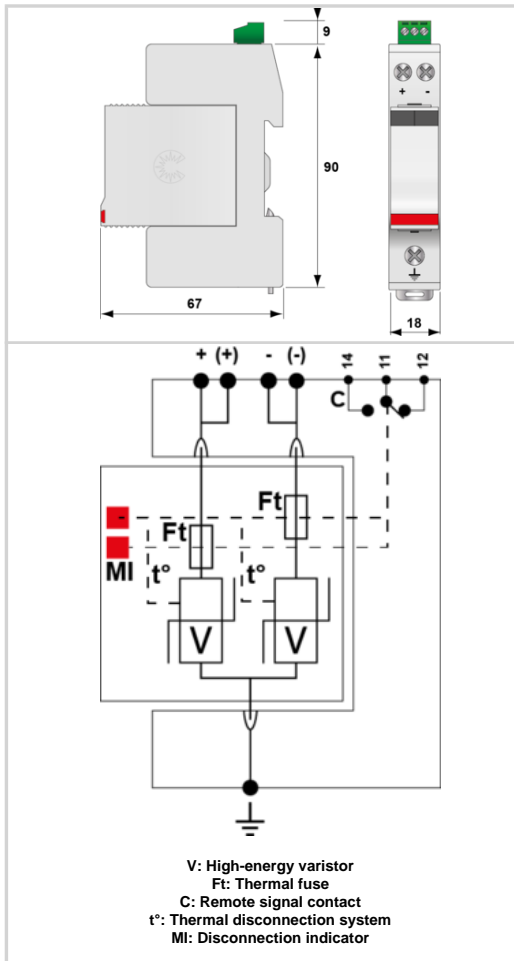


DS240S-220DC



- DC power surge protector
- 220 Vdc
- Compact design
- I_{max}: 40 kA
- Pluggable module
- Remote signaling
- Very low U_p protection level



| Electrical Characteristics | |
|--|--|
| SPD type (following IEC tests) | 2 |
| Network | DC or PV network 220Vdc |
| Nominal DC voltage | Un-dc 220 Vdc |
| Nominal PV voltage | Uocstc 220 Vdc |
| Max. AC operating voltage | Uc 210 Vac |
| Max. PV operating voltage | Ucpv 275 Vdc |
| Max. DC operating voltage | Uc 275 Vdc |
| Max. load current | IL 20 A |
| Residual Current (Leakage current to Ground) | Ipe < 0.1 mA |
| PV Permanent Operating current (Current consumption at Ucpv) | Icpv < 0.1 mA |
| Follow current | If None |
| Nominal discharge current (15 x 8/20 μs impulses) | In 20 kA |
| Max. discharge current (max. withstand @ 8/20 μs by pole) | I _{max} 40 kA |
| Total Maximum discharge current (max. total withstand @ 8/20 μs) | I _{max} Total 80 kA |
| Current withstand short circuit PV | I _{scpv} 1000 A |
| Connection mode(s) | +/-PE |
| Protection mode(s) | Common mode |
| Protection level +/-PE (-/PE)(@ In (8/20μs)) | Up 900 V |
| Mechanical Characteristics | |
| Technology | MOV |
| SPD configuration | 2 poles |
| Connection to Network | By screw terminals: 1.5-10mm ² (actives wires) and 2.5-25mm ² (ground) |
| Format | Plug-in modular box |
| Mounting | Symmetrical rail 35 mm (EN 60715) |
| Housing material | Thermoplastic UL94 V-0 |
| Operating temperature | Tu -40/+85°C |
| Protection rating | IP20 |
| Failsafe mode | disconnection from DC line |
| Disconnection indicator | 2 mechanical indicators |
| Spare module(s) | DSM240-220DC |
| Remote signaling of disconnection | Output on changeover contact |
| Dimensions | See diagram |
| Weight | 0.125 kg |
| Disconnectors | |
| Thermal disconnector | Internal |
| Fuses | Fuses type gG - 50 A |
| Standards | |
| Standards compliance | IEC 61643-11 / EN 61643-11 / UL1449 ed.4 |
| Certification | UL / EAC / TÜV |
| Part number | |
| 310211 | |